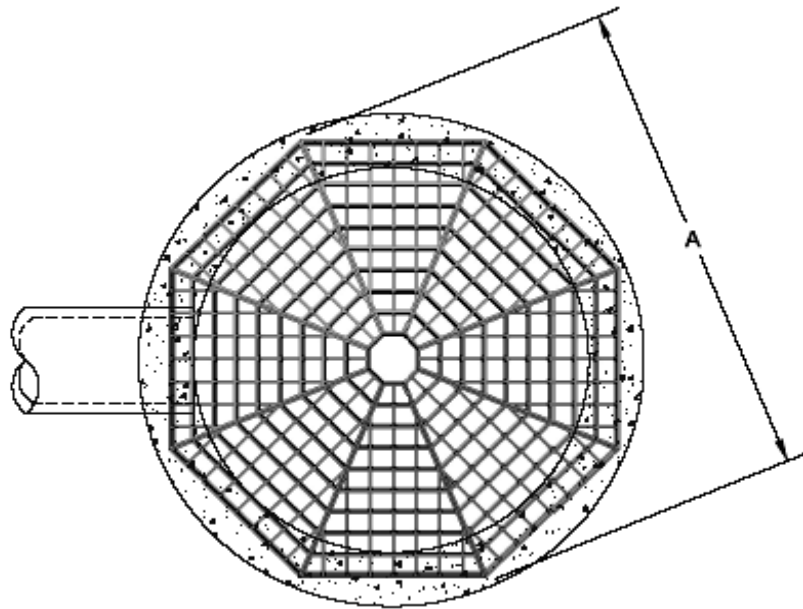


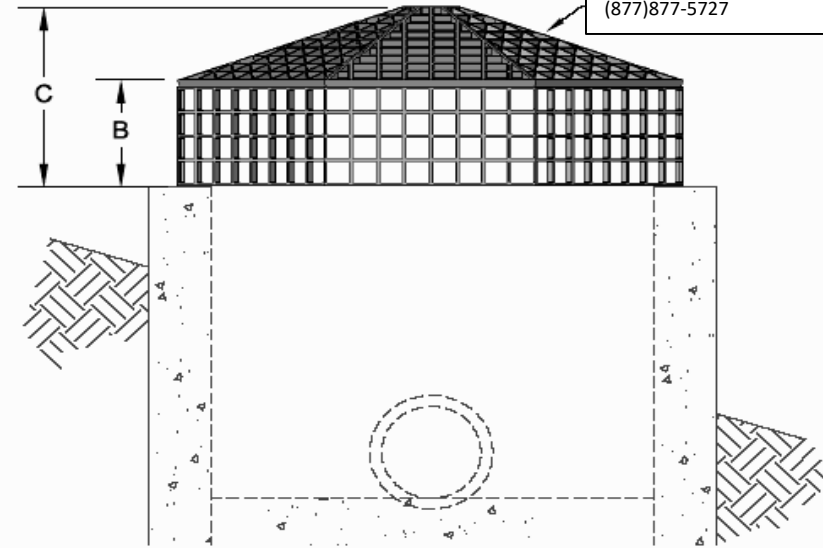


PYRAMID STRUCTURE FOR CONCRETE RISER  
(STANDARD SIZES)

Structural HDPE Trash Rack by  
PLASTIC SOLUTIONS, INC  
www.StormRax.com  
(877)877-5727



TOP VIEW



SIDE VIEW

PYRAMID RACK FOR CONCRETE MANHOLE RISER					
Part No.	Pipe I.D.	Pipe O.D.	A"	B"	C"
PYD-72	72	86	84	17	28-3/4
PYD-84	84	100	98	17-7/16	30-3/4
PYD-96	96	114	113	18	33

AVAILABLE OPTIONS	
ACCESS DOOR	
HDPE ANTI VORTEX PLATE	



P.O. BOX 4386, WINCHESTER, VA 22604  
238 MCGHEE RD, WINCHESTER, VA 22603  
PH: (877) 877-5727  
WEBSITE: www.StormRax.com

CUSTOMER:

PROJECT:

DATE:

DRAWN BY:

APP'D BY:

DETAIL:

DWG. NO: