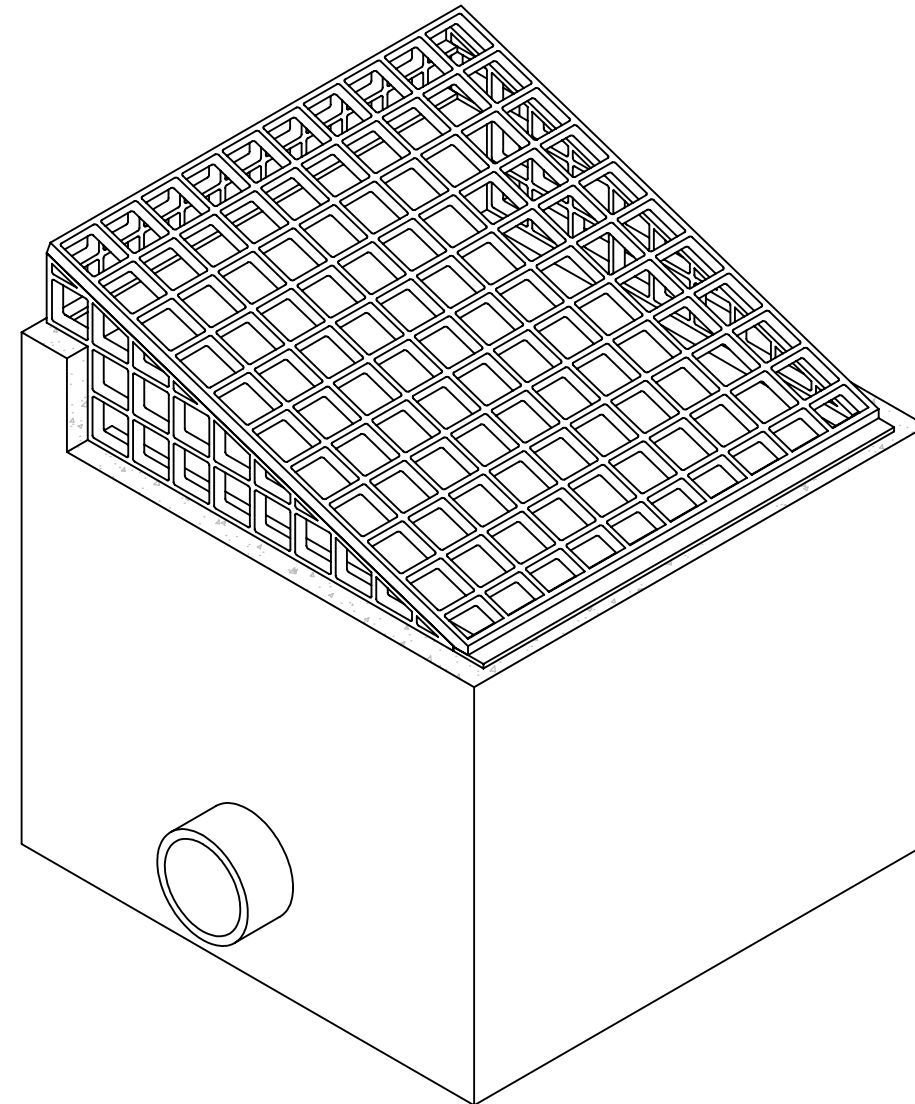
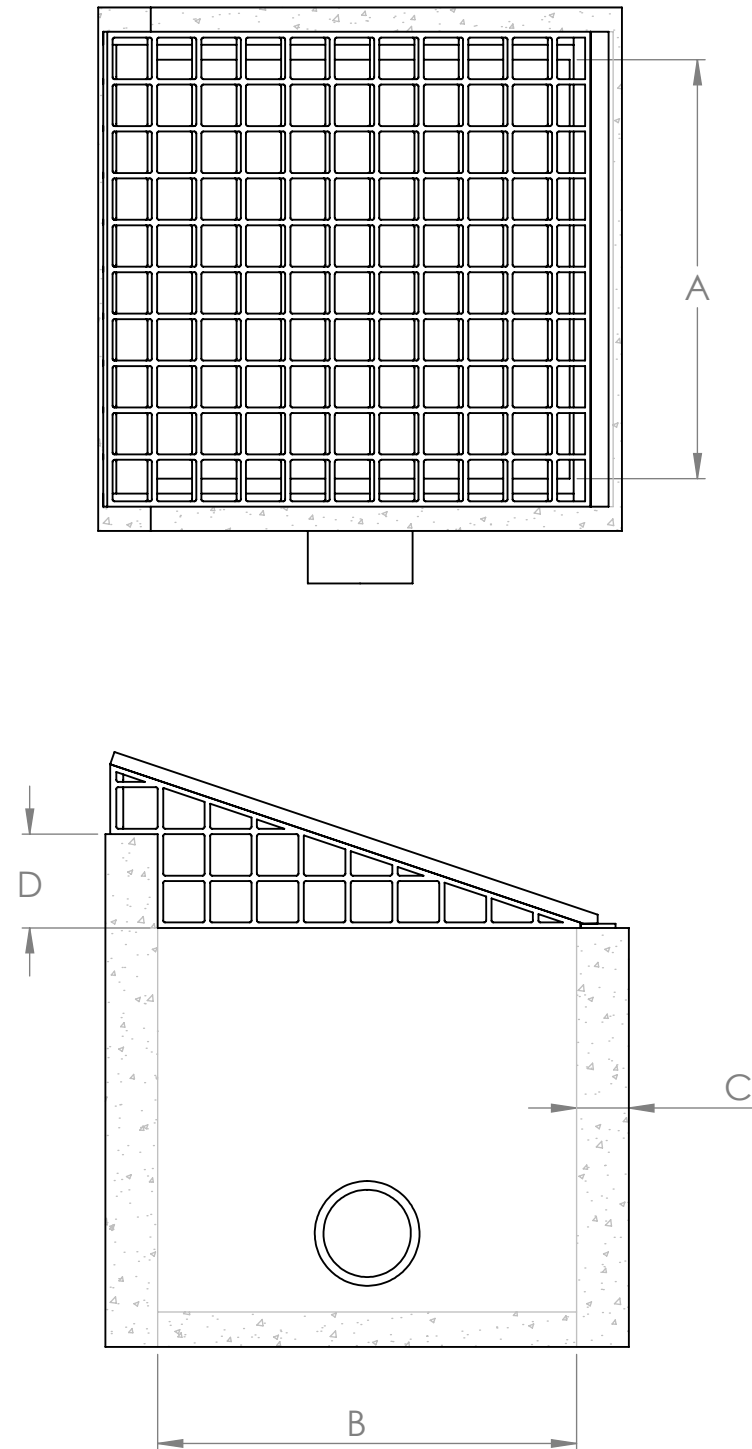




# SLOPE SERIES



238 McGhee Rd  
Winchester, VA 22603  
phone: 540-722-3292  
www.stormrax.com

**PART INFORMATION**

NAME: Slope Series

MATERIAL:  
Structural HDPE with fiberglass fill

**MOUNTING HARDWARE**

ANCHORS:  
3/8" X 3" Zinc wedge anchors with nuts and washers

**AVAILABLE OPTIONS**

ACCESS DOOR

ANTI - VORTEX PLATE  
MATERIAL: 1/2" HDPE

**ADDITIONAL INFORMATION**

Made in USA  
\*Max. opening size:  
4-3/4" x 4-3/4"

DATE: 03/27/2024 REV. #2

DRAWN BY: MJM

**PROPRIETARY AND CONFIDENTIAL**  
THE INFORMATION CONTAINED IN THIS DRAWING IS THE SOLE PROPERTY OF PLASTIC SOLUTIONS, INC. ANY REPRODUCTION IN PART OR AS A WHOLE WITHOUT WRITTEN PERMISSION BY PLASTIC SOLUTIONS, INC. IS PROHIBITED.

<b>CONCRETE STRUCTURE DIMS (IN.)</b>				Customer:	Date:
I.D. length 'A':	I.D. width 'B':	Wall thickness: 'C'	Step height: DIM 'D'	Project:	By: