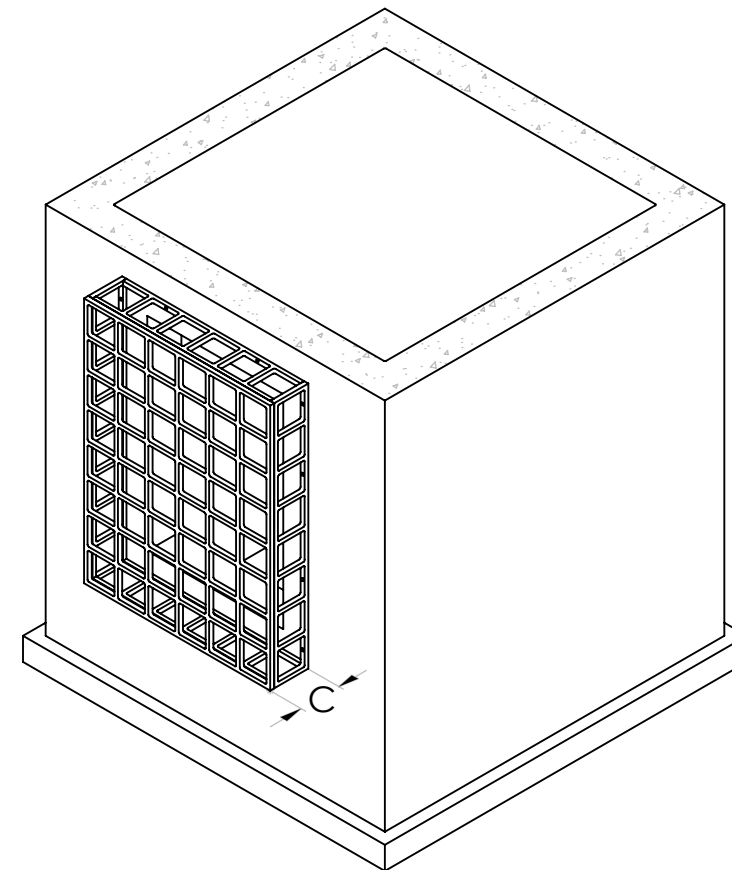
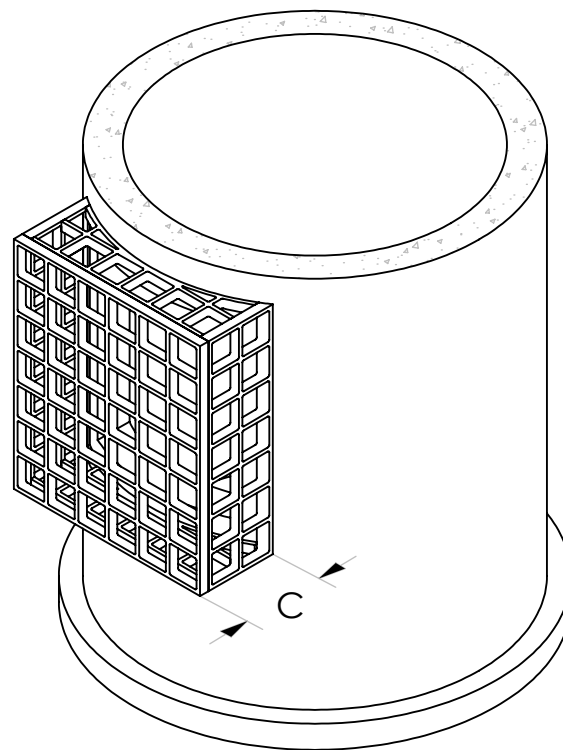
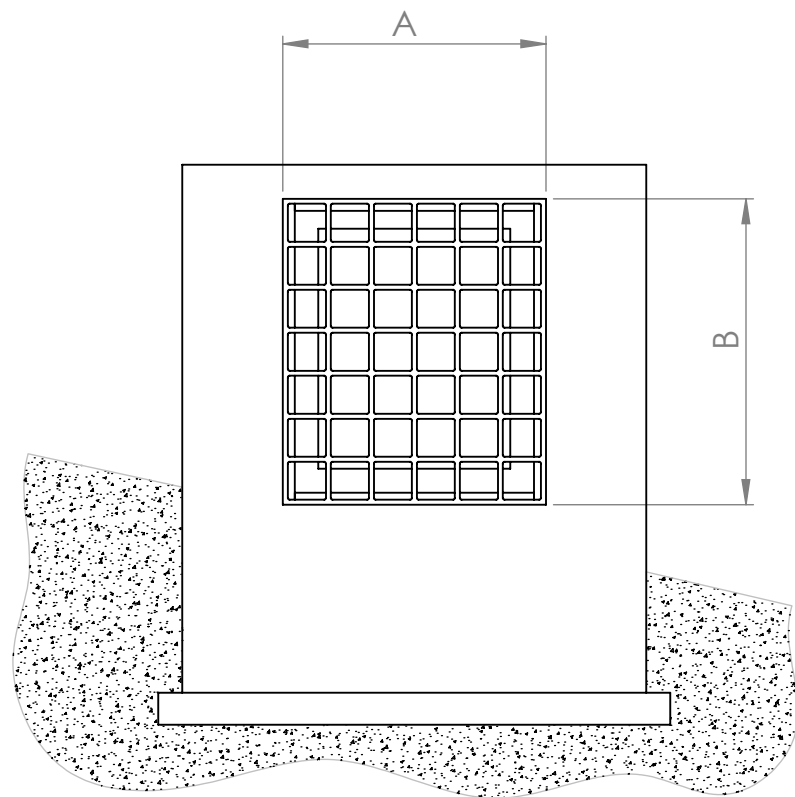




FLAT SERIES SIDE MOUNT OVERVIEW (Box & Round Structures)



238 McGhee Rd
Winchester, VA 22603
phone: 540-722-3292
www.stormrax.com

PART INFORMATION

NAME:
Flat Series
Side Mount Overview
(Box & Round Structures)

MATERIAL:
Structural HDPE with
fiberglass fill

MOUNTING HARDWARE

ANCHORS:
3/8" X 3" Zinc wedge
anchors with nuts
and washers

AVAILABLE OPTIONS

Additional sizes
available

ADDITIONAL INFORMATION

Made in USA

*Max. opening size:
4-3/4" x 4-3/4"

SIZE TABLE

WIDTH 'A'	11-3/8"	16-3/4"	22-1/8"	27-1/2"	32-7/8"	38-1/4"	43-5/8"	49"	54-3/8"	59-3/4"	65-1/8"
LENGTH 'B'	11-3/8"	16-3/4"	22-1/8"	27-1/2"	32-7/8"	38-1/4"	43-5/8"	49"	54-3/8"	59-3/4"	65-1/8"
HEIGHT 'C' SQUARE	7-1/2"	1 GRID HIGH									
HEIGHT 'C' ROUND	12-7/8"	BASED ON RADIUS AND WIDTH									

DATE: 02/01/2024 REV. #3

DRAWN BY: MJM

PROPRIETARY AND CONFIDENTIAL
THE INFORMATION CONTAINED IN THIS
DRAWING IS THE SOLE PROPERTY OF PLASTIC
SOLUTIONS, INC. ANY REPRODUCTION IN PART
OR AS A WHOLE WITHOUT WRITTEN
PERMISSION BY PLASTIC SOLUTIONS, INC. IS
PROHIBITED.