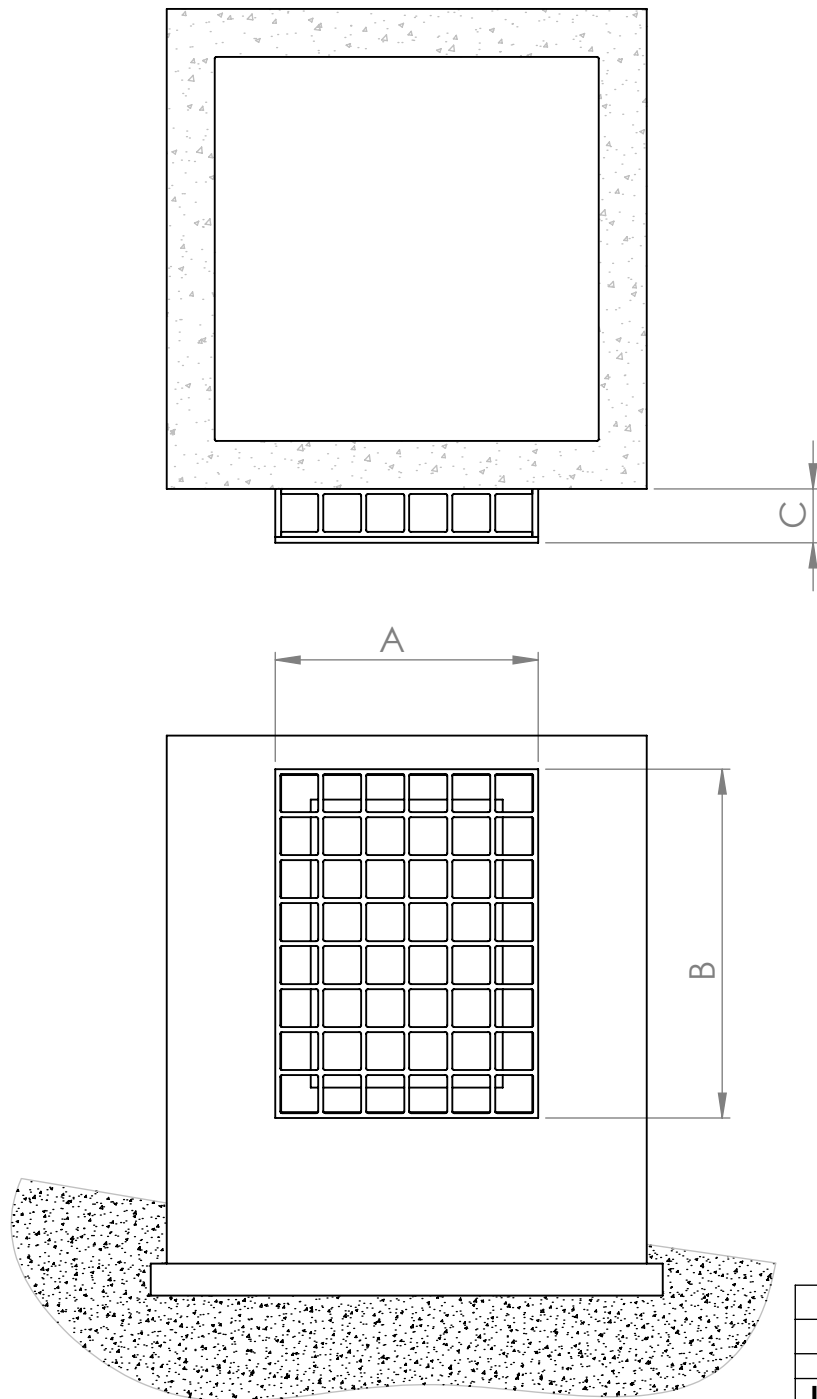
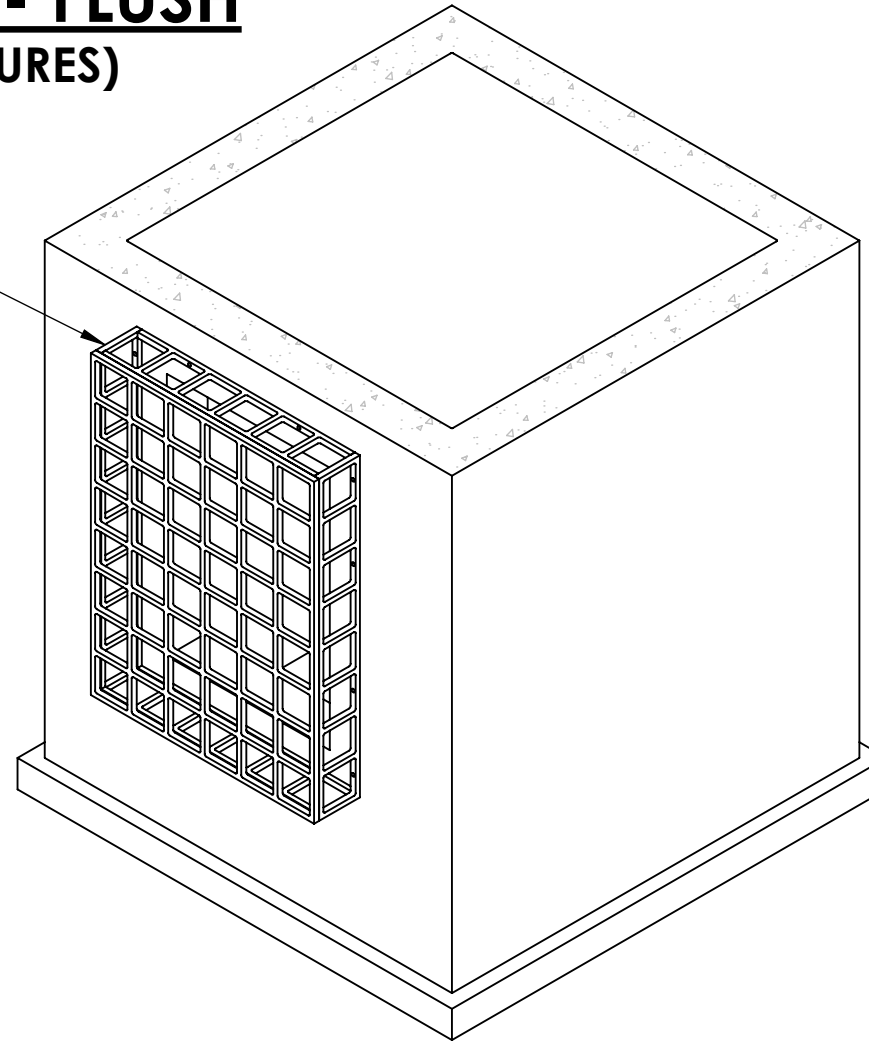




FLAT SERIES SIDE MOUNT - FLUSH (BOX STRUCTURES)



(1 GRID HIGH)
(STANDARD)



SIZE TABLE											
WIDTH 'A'	11-3/8"	16-3/4"	22-1/8"	27-1/2"	32-7/8"	38-1/4"	43-5/8"	49"	54-3/8"	59-3/4"	65-1/8"
LENGTH 'B'	11-3/8"	16-3/4"	22-1/8"	27-1/2"	32-7/8"	38-1/4"	43-5/8"	49"	54-3/8"	59-3/4"	65-1/8"
HEIGHT 'C'	7-1/2"	1 GRID HIGH (STANDARD)									
	12-7/8"	2 GRID HIGH (ALSO AVAILABLE)									



238 McGhee Rd
Winchester, VA 22603
phone: 540-722-3292
www.stormrax.com

PART INFORMATION

NAME: Flat Series
Side Mount - Flush
Box Structures

MATERIAL:
Structural HDPE with
fiberglass fill

MOUNTING HARDWARE

ANCHORS:
3/8" X 3" Zinc wedge
anchors with nuts
and washers

AVAILABLE OPTIONS

ANTI-VORTEX PLATE
MATERIAL: 1/2" HDPE

ACCESS DOOR

ADDITIONAL SIZES
AVAILABLE

ADDITIONAL INFORMATION

Made in USA

*Max. opening size:
4-3/4" x 4-3/4"

DATE: 03/15/2024 REV. #11

DRAWN BY: MJM

PROPRIETARY AND CONFIDENTIAL
THE INFORMATION CONTAINED IN THIS
DRAWING IS THE SOLE PROPERTY OF PLASTIC
SOLUTIONS, INC. ANY REPRODUCTION IN PART
OR AS A WHOLE WITHOUT WRITTEN
PERMISSION BY PLASTIC SOLUTIONS, INC. IS
PROHIBITED.

CONCRETE STRUCTURE DIMS (IN.)			STORMRAX FLAT DIMS (IN.)			Customer:	Date:
I.D. width:	I.D. length:	Wall thickness (Req'd):	Width A:	Length B:	Height C:	Project:	By: