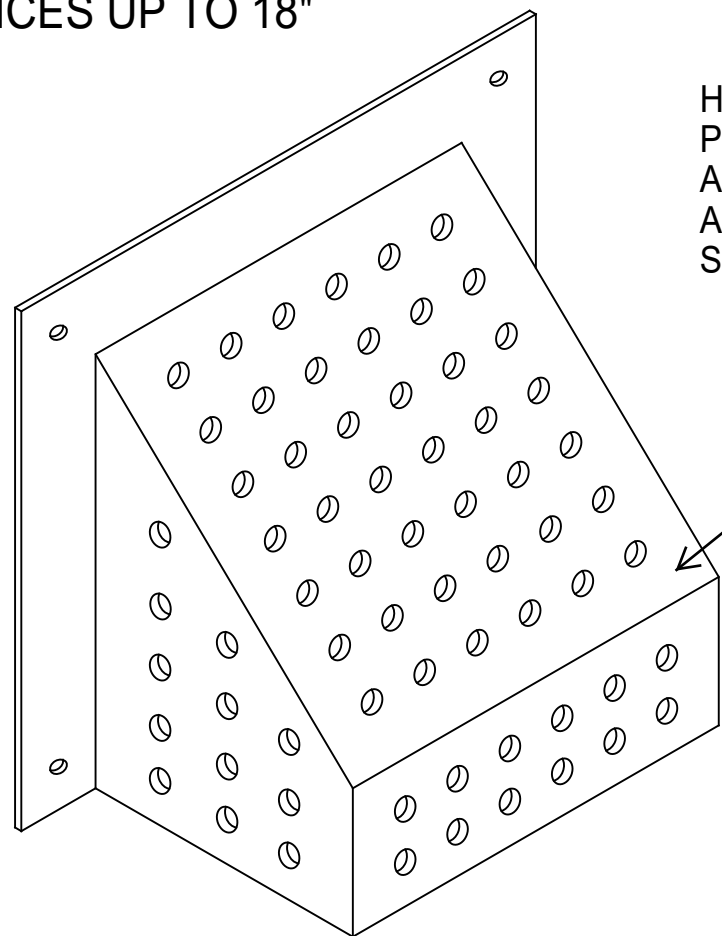


FOR ORIFICES UP TO 18"



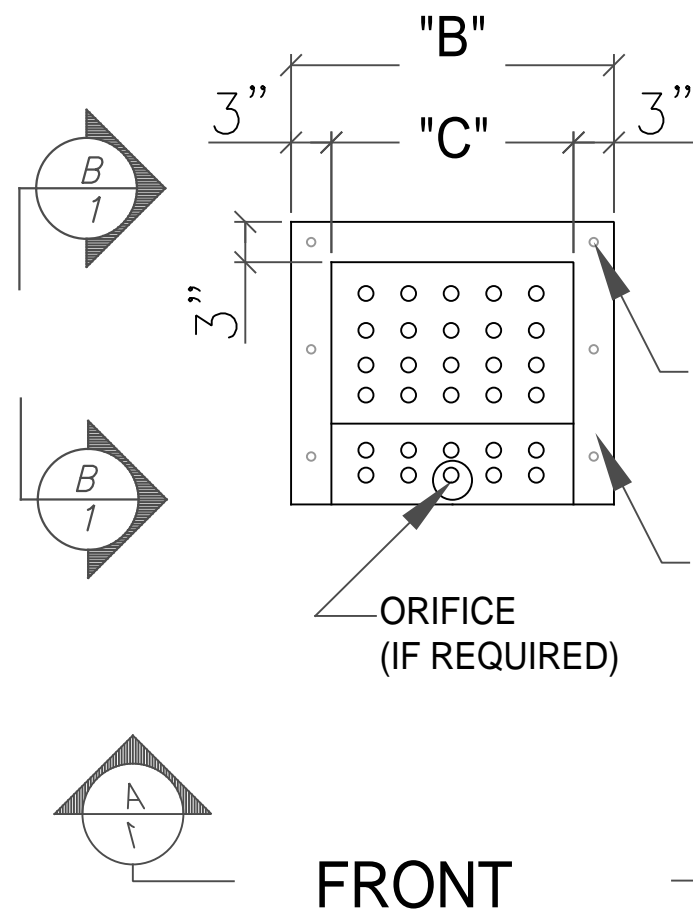
HDPE STRUCTURAL PLASTIC 1/2" PLATE AND GRATING W/ 1" HOLES AND A MIN. OF 30% OF OPENING AREA MANUFACTURED BY PLASTIC SOLUTIONS, INC.

A= _____

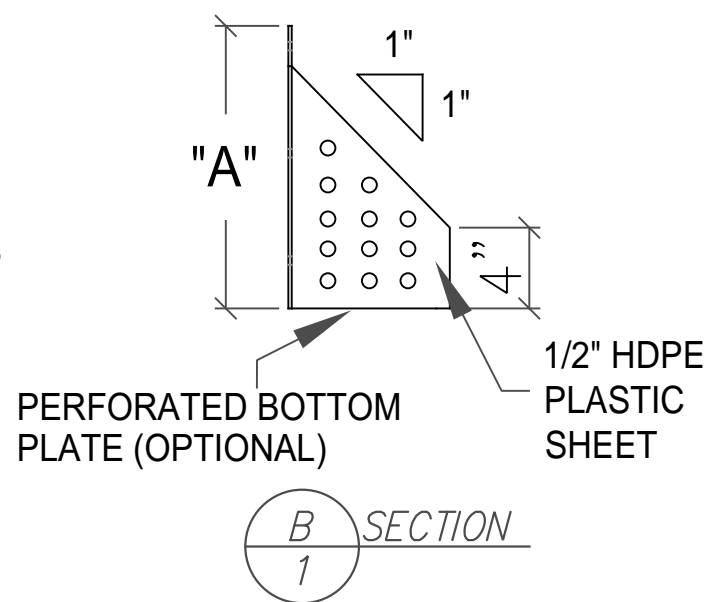
B= _____

C= _____

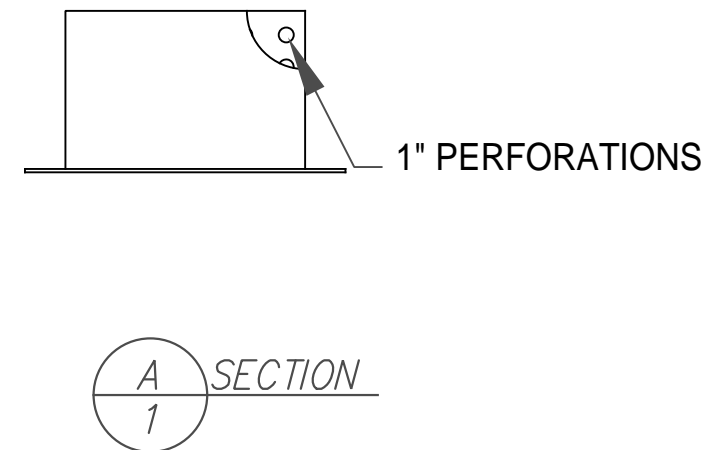
ORIFICE= _____



FRONT



SIDE



BACK

1/2" BOLT HOLES FOR 3/8" X 3" EXPANSION ANCHORS
1/2" HDPE PLATE/ FRAME BOLTED TO EW-1
ORIFICE (IF REQUIRED)

PERFORATED BOTTOM PLATE (OPTIONAL)

1/2" HDPE PLASTIC SHEET

1" PERFORATIONS

Plastic Solutions Inc.
238 McGhee Rd.
Winchester, VA 22604
PHONE: 877-877-5727

JOB INFORMATION

ARCHITECT	
CLIENT	
ERECTOR	
JOB #	
PM	



GENERAL NOTES

HOLES	
WELDS	
BOLTS	
FINISH	

PRINT RECORD

HARD COPY	ISSUED FOR	CHECKED BY	DATE

REVISIONS

#	DATE	REMARKS
1		
2		
3		
4		
5		
6		

ITEM#	
ITEM#1	
ITEM#2	
ITEM#3	
ITEM#4	
ITEM#5	

DRAWN BY: CS DATE: _____
DRAWING #: