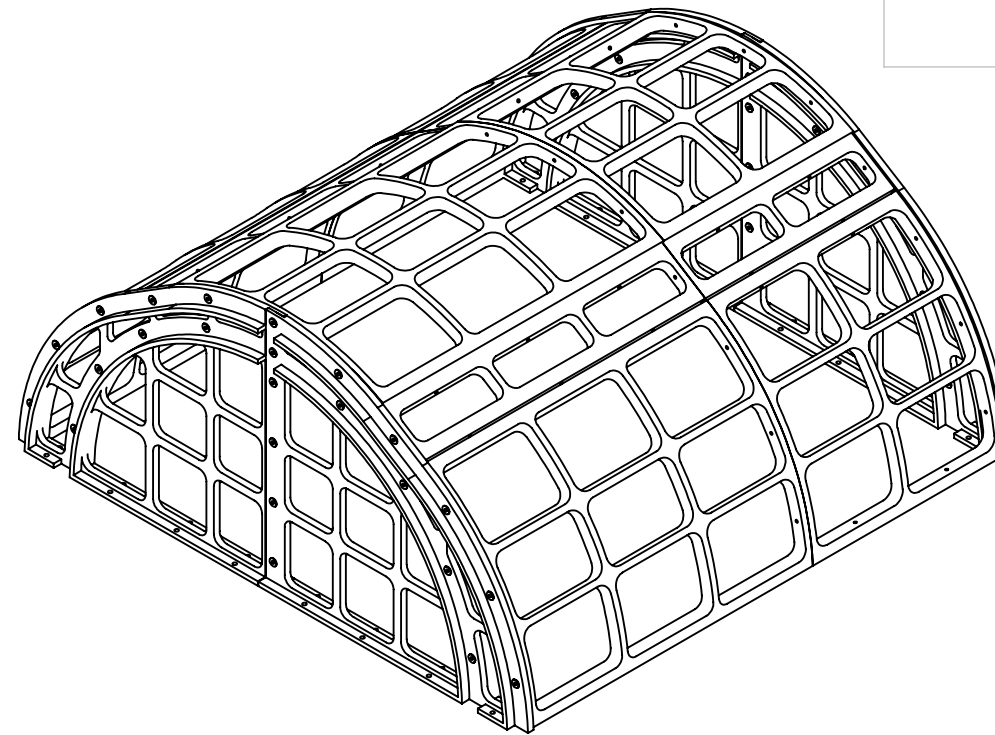
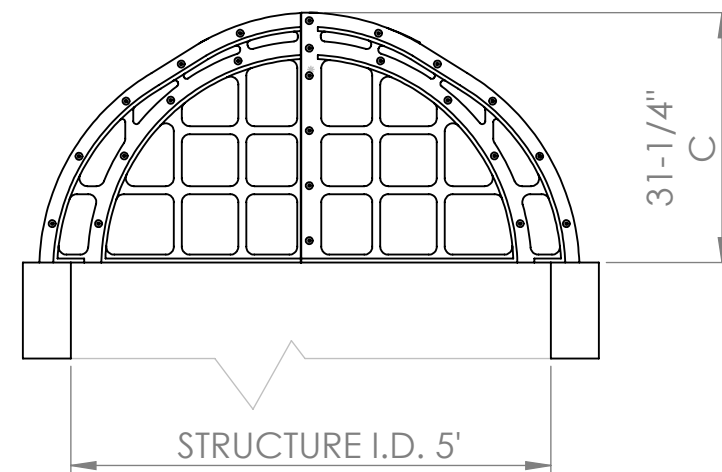
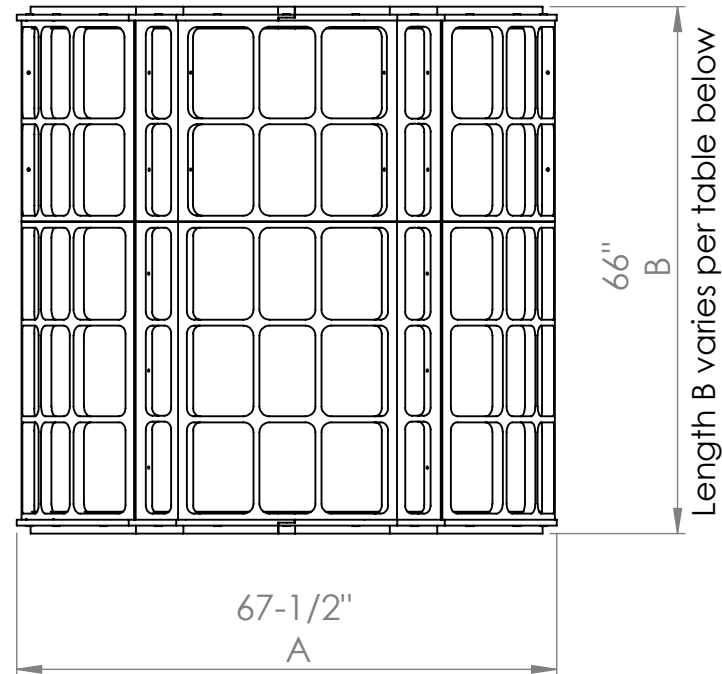
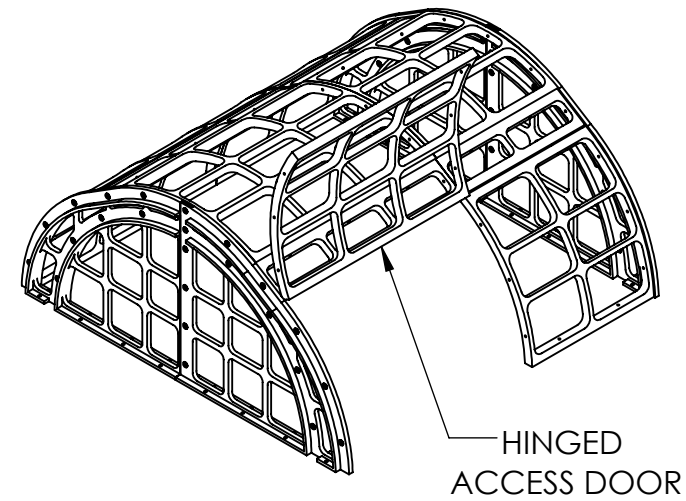




**5' DOME SERIES**  
(VARIABLE LENGTHS)



**OPTIONAL**



**STANDARD**  
5' x 5' SHOWN  
(not to scale)



238 McGhee Rd  
Winchester, VA 22603  
phone: (877) 877-5727  
www.stormrax.com

**PART INFORMATION**

**NAME:** 5' Dome Series  
**MATERIAL:** Structural HDPE with fiberglass fill  
**WEIGHT:** Standard: 137 lbs.

**MOUNTING HARDWARE**

**ANCHORS:** 3/8" X 3" Zinc wedge anchors with nuts and washers

**CONSTRUCTION HARDWARE**

**BOLTS:** 1/4" X 7/16" bolt  
**NUTS:** 1/4"-20 T-nut

**AVAILABLE OPTIONS**

**HINGED ACCESS DOOR**

**DOOR SIZE:** 2' X 2' min.

**ANTI-VORTEX PLATE**

**MATERIAL:** 1/2" Polyethylene sheet  
**ADDED WEIGHT:** 25 lbs.

**ADDITIONAL INFORMATION**

Made in USA  
See chart for addition lengths  
**Minimum opening size**  
3-3/4"X11-7/16"  
**Maximum opening size**  
7-1/2"X11-7/16"

**DATE:** 11/14/2023 **REV.** #3

**DRAWN BY:** MJM

**PROPRIETARY AND CONFIDENTIAL**

THE INFORMATION CONTAINED IN THIS DRAWING IS THE SOLE PROPERTY OF PLASTIC SOLUTIONS, INC. ANY REPRODUCTION IN PART OR AS A WHOLE WITHOUT WRITTEN PERMISSION BY PLASTIC SOLUTIONS, INC. IS PROHIBITED.

5' DOME SERIES SIZE TABLE											
<b>Width A</b>	67-1/2"										
<b>Length B</b>	29"	40-3/4"	54-1/8"	66"	79"	93-1/8"	105-1/4"	117-1/8"	131-1/8"	143-1/4"	155-1/4"
<b>Height C</b>	31-1/4"										

<b>CONCRETE STRUCTURE DIMS. (IN.)</b>			<b>STORMRAX DOME DIMS. (IN.)</b>			Customer:	Date:
I.D. Width:	I.D. Length:	Wall width (req'd):	Width A:	Length B:	Height C:	Project:	By: