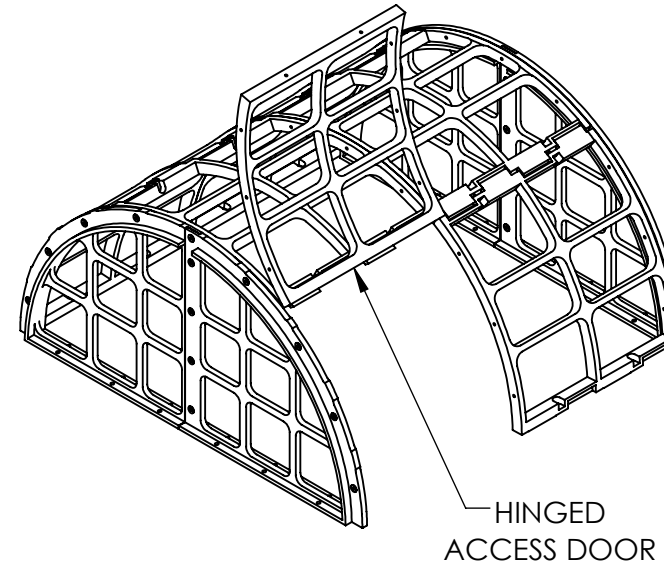




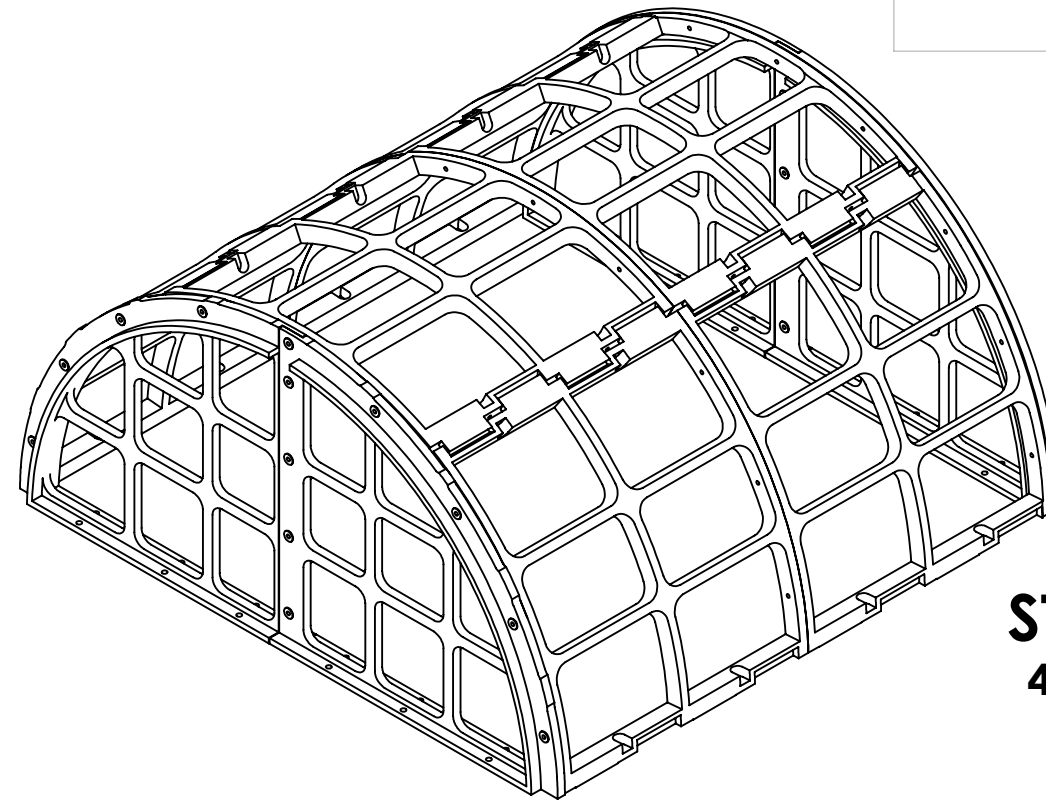
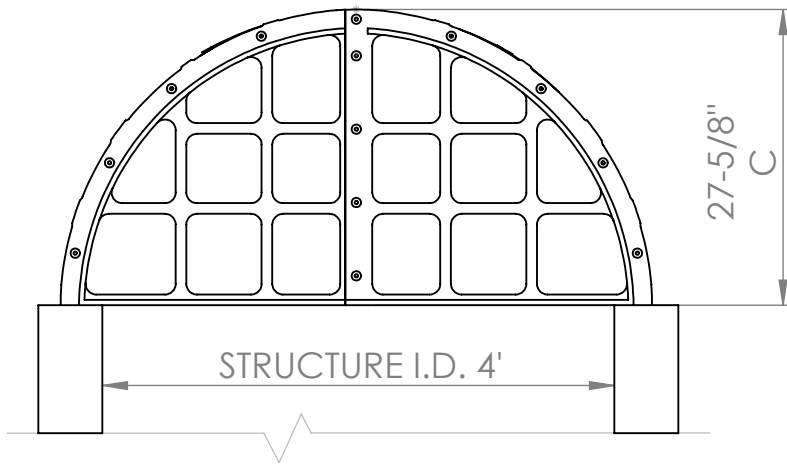
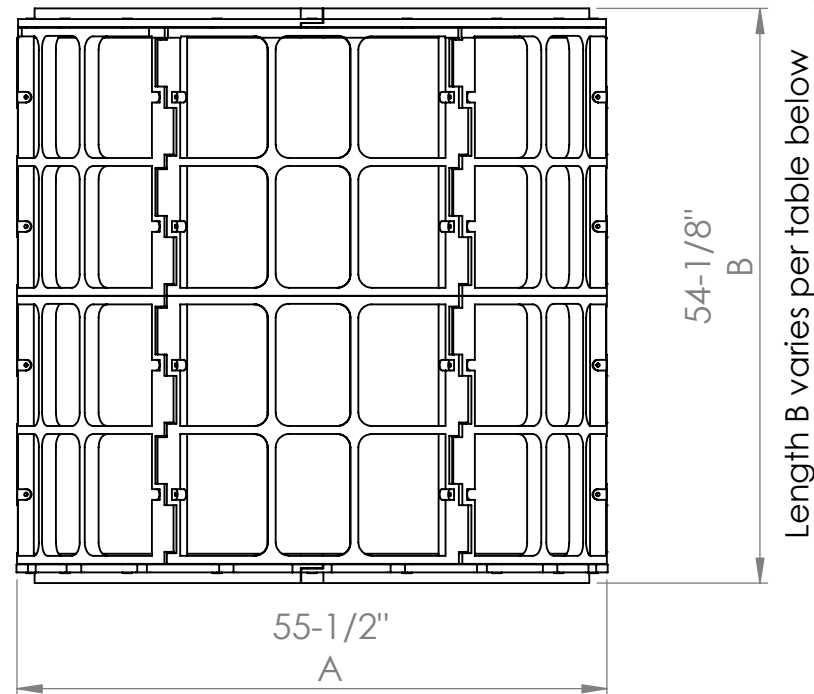
4' DOME SERIES
(VARIABLE LENGTHS)

OPTIONAL



HINGED ACCESS DOOR

STANDARD
4' X 4' SHOWN
(not to scale)



4' DOME SERIES SIZE TABLE

Width A	55-1/2"											
Length B	29"	40-3/4"	54-1/8"	66"	79"	93-1/8"	105-1/4"	117-1/8"	131-1/8"	143-1/4"	155-1/4"	
Height C	27-5/8"											



238 McGhee Rd
Winchester, VA 22603
phone: (877) 877-5727
www.stormrax.com

PART INFORMATION

NAME: 4' Dome Series
MATERIAL: Structural HDPE with fiberglass fill
WEIGHT: Standard: 84 lbs.

MOUNTING HARDWARE

ANCHORS: 3/8" X 3" Zinc wedge anchors with nuts and washers

CONSTRUCTION HARDWARE

BOLTS: 1/4" X 7/16" bolt
NUTS: 1/4"-20 T-nut

AVAILABLE OPTIONS

HINGED ACCESS DOOR

DOOR SIZE: 2' X 2'

ANTI-VORTEX PLATE

MATERIAL: 1/2" Polyethylene sheet
ADDED WEIGHT: 21 lbs.

ADDITIONAL INFORMATION

Made in USA

See chart for addition lengths

Minimum opening size

3-3/4"X11-7/16"

Maximum opening size

7-1/2"X11-7/16"

DATE: 11/14/2023 **REV. #8**

DRAWN BY: MJM

PROPRIETARY AND CONFIDENTIAL

THE INFORMATION CONTAINED IN THIS DRAWING IS THE SOLE PROPERTY OF PLASTIC SOLUTIONS, INC. ANY REPRODUCTION IN PART OR AS A WHOLE WITHOUT WRITTEN PERMISSION BY PLASTIC SOLUTIONS, INC. IS PROHIBITED.

CONCRETE STRUCTURE DIMS. (IN.)			STORMRAX DOME DIMS. (IN.)			Customer:	Date:
I.D. Width:	I.D. Length:	Wall width (req'd):	Width A:	Length B:	Height C:	Project:	By: