



48" ROUND SERIES TRASH RACK FOR CONCRETE RISER (RS-48)



238 McGhee Rd, Winchester, VA. 22603
 phone: (877)-877-5727
 fax: (540)-722-2219
 www.stormrax.com

PART INFORMATION

NAME: RS-48
 MATERIAL: Structural HDPE with fiberglass fill

WEIGHT: 63 lbs.

MOUNTING HARDWARE

ANCHORS: 3/8" X 3" Zinc wedge anchors with nuts and washers (qty. 8)

CONSTRUCTION HARDWARE

BOLTS: 1/4" X 7/16" T-bolt (qty. 16)
 NUTS: 1/4"-20 nut (qty. 16)

AVAILABLE OPTIONS

ACCESS DOOR

DOOR SIZE: Quarter section of trash rack

ANTI-VORTEX PLATE

MATERIAL: 1/2" Polyethylene sheet

ADDED WEIGHT: 27 LBS

ADDITIONAL INFORMATION

Made in USA

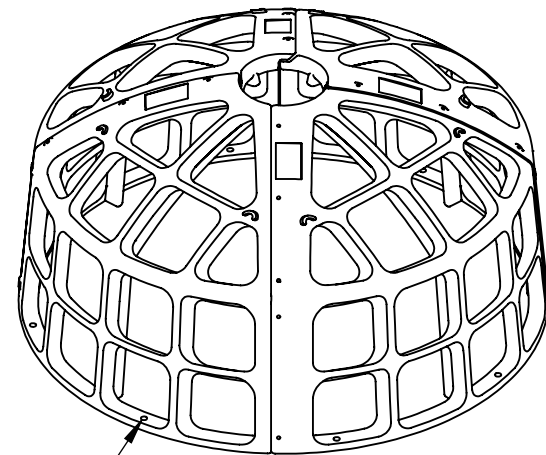
DATE: 8/28/2023

DRAWN BY: MM

REV. #4

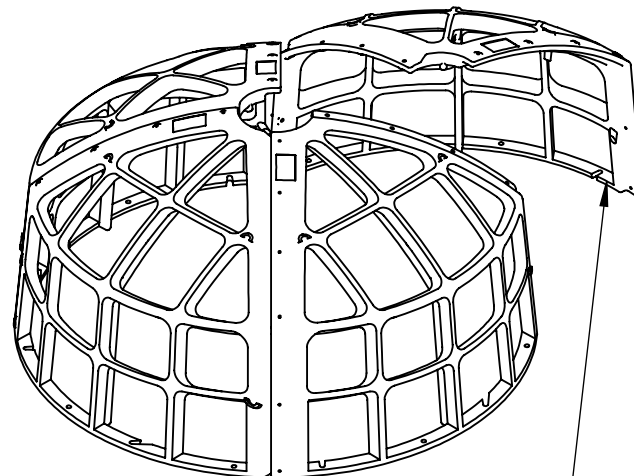
PROPRIETARY AND CONFIDENTIAL
 THE INFORMATION CONTAINED IN THIS DRAWING IS THE SOLE PROPERTY OF PLASTIC SOLUTIONS, INC. ANY REPRODUCTION IN PART OR AS A WHOLE WITHOUT WRITTEN PERMISSION BY PLASTIC SOLUTIONS, INC. IS PROHIBITED.

RS-48 STANDARD



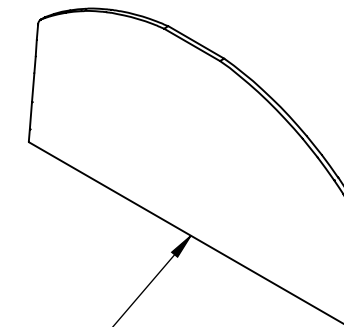
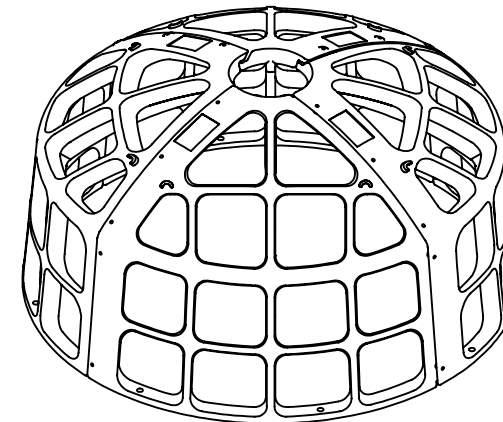
8 EQUALLY SPACED MOUNTING HOLES

OPTIONAL ACCESS DOOR

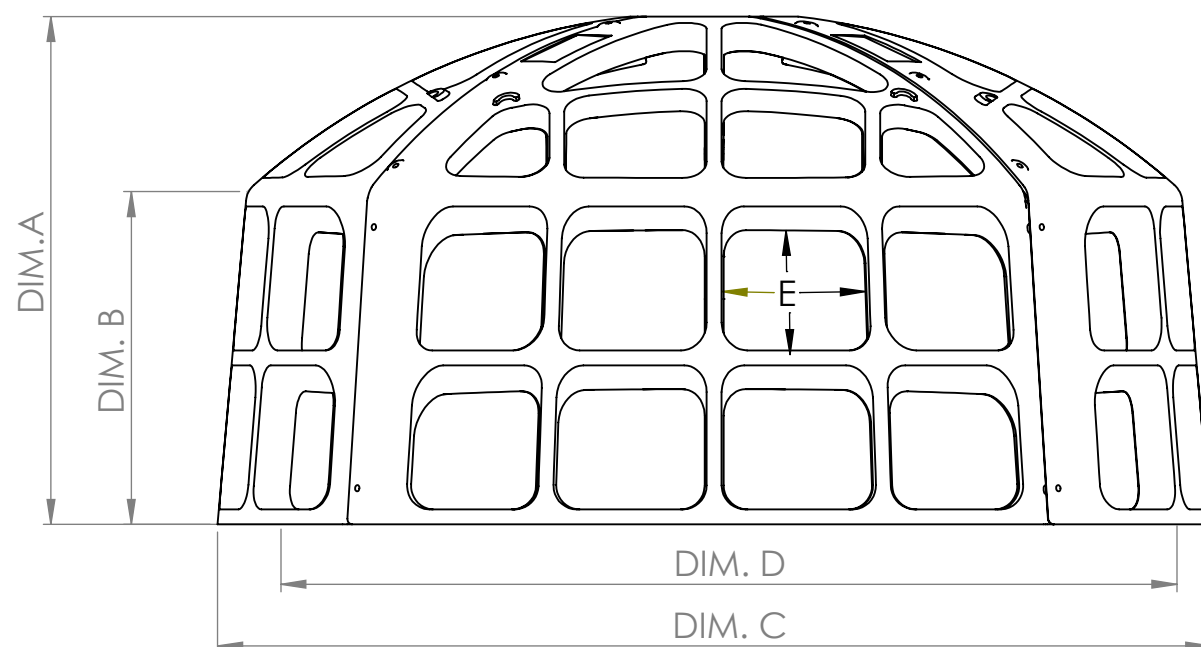


HINGED QUARTER SECTION FOR ACCESS

OPTIONAL ANTI VORTEX PLATE



ANTI VORTEX PLATE



PART INFORMATION

PART NO.	RS-48
DIM. A	27-3/4"
DIM. B	18"
DIM. C	54"
DIM. D	51"
DIM. E VARIES	4-1/4" X 8-1/4" MIN. 8-1/4" X 9-3/4" MAX.
MAX STRUCTURE OD.	57"
MIN. STRUCTURE ID.	48"