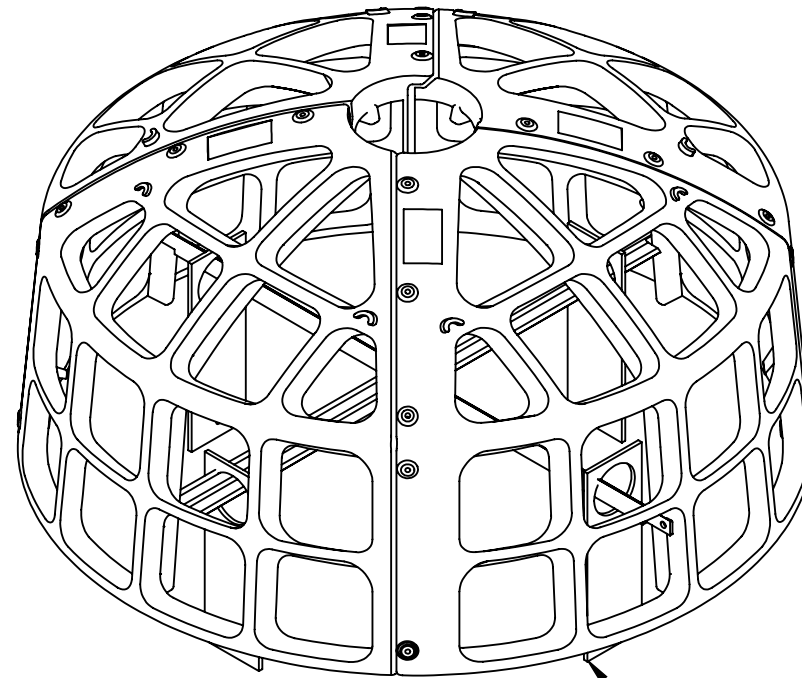




48" ROUND SERIES TRASH RACK FOR PLASTIC AND METAL RISER (RSP-48)

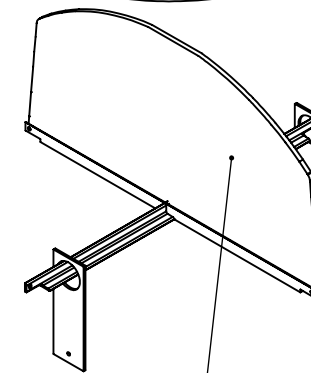
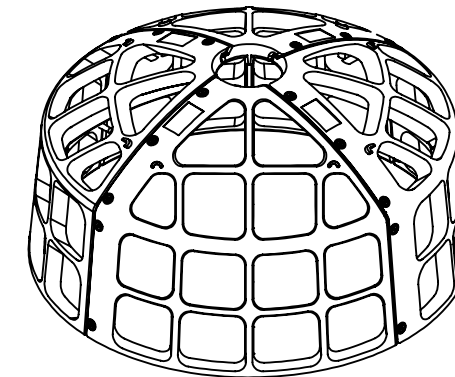
238 McGhee Rd, Winchester, VA 22603
 phone: (877)-877-5727
 fax: (540)-722-2219
 www.stormrax.com

RSP-48 STANDARD

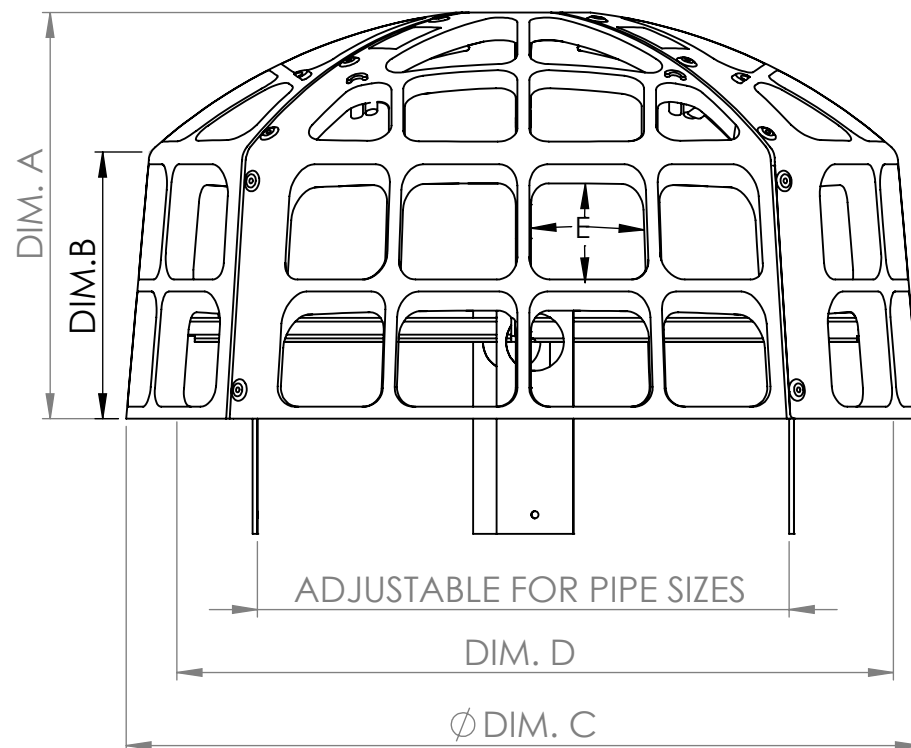


4 HDPE ANCHOR PLATES ON CROSS BRACE TO ANCHOR ON RISER

OPTIONAL ANTI VORTEX PLATE



ANTI VORTEX PLATE



PART INFORMATION

PART NO.	RSP-48
DIM. A	27-3/4"
DIM. B	18"
DIM. C	54"
DIM. D	51"
DIM E VARIES	4-1/4" X 8-1/4" MIN. 8-1/4" X 9-3/4" MAX.
MAX PIPE OD.	48"
MIN. PIPE ID.	34"
MOUNTING KIT ANGLE SIZE	1-1/2"X1-1/2"X3/16"
HDPE ANCHOR PLATE SIZE	12"X4"X1/4"

PART INFORMATION

Name: RSP-48
 Material: Structural HDPE with fiberglass fill
 Weight: 78 lbs

MOUNTING HARDWARE

Anchors: 1/4" X 2" Self tapping screws

CONSTRUCTION HARDWARE

Bolts: 1/4" X 7/16" T-bolt (qty. 24)
 Nuts: 1/4"-20 Nut (qty. 24)

AVAILABLE OPTIONS

ANTI-VORTEX PLATE

Material: 1/2" Polyethylene sheet
 Added weight: 16 LBS

ADDITIONAL INFORMATION

Made in USA

Date: 8/22/2023

Drawn by: MM

Rev. #3

PROPRIETARY AND CONFIDENTIAL
 THE INFORMATION CONTAINED IN THIS DRAWING IS THE SOLE PROPERTY OF PLASTIC SOLUTIONS, INC. ANY REPRODUCTION IN PART OR AS A WHOLE WITHOUT WRITTEN PERMISSION BY PLASTIC SOLUTIONS, INC. IS PROHIBITED.