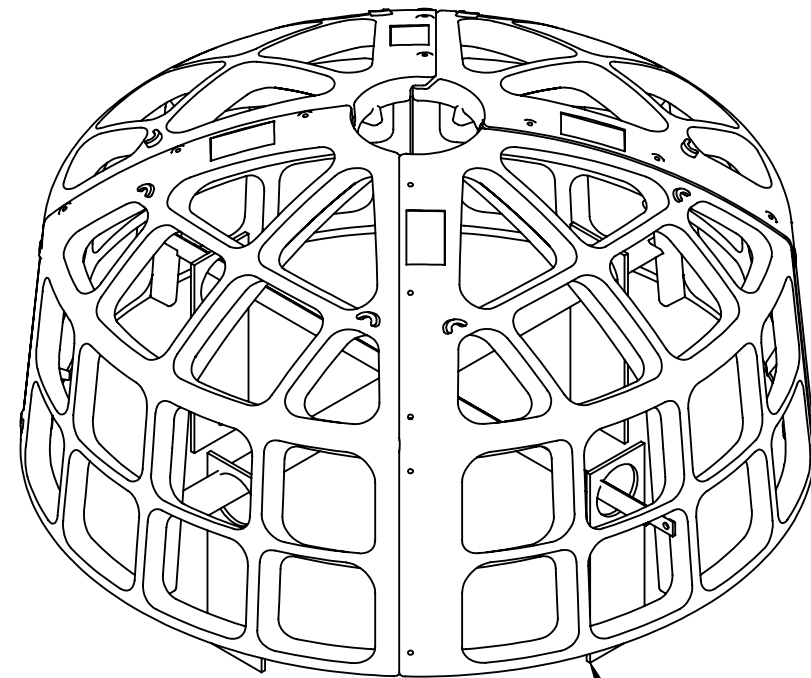




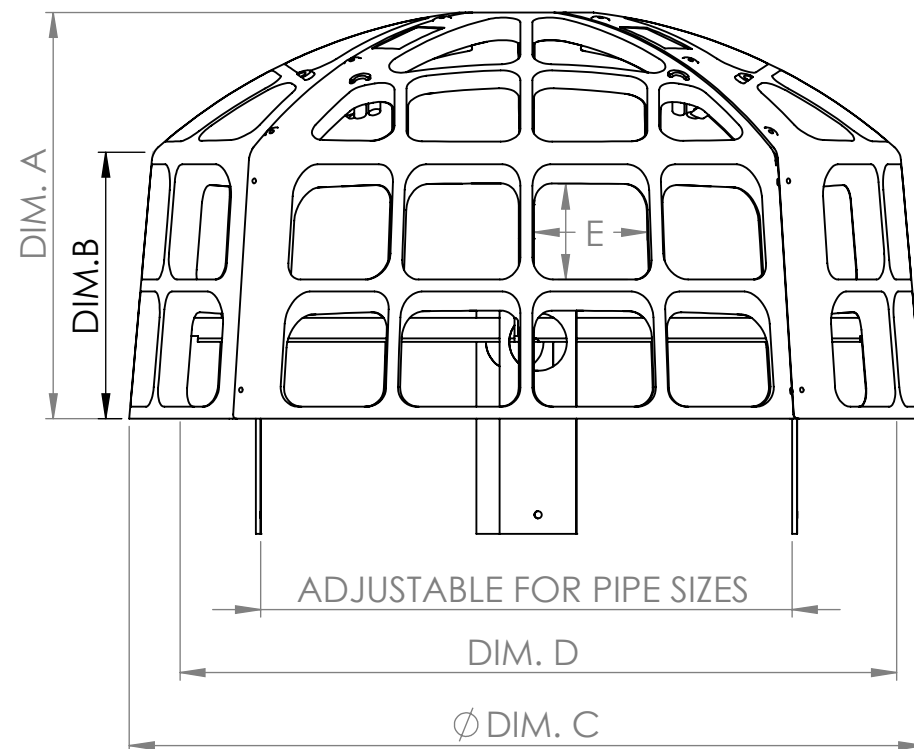
36" ROUND SERIES TRASH RACK FOR PLASTIC AND METAL RISER (RSP-36)

238 McGhee Rd, Winchester, VA 22603
 Phone: (877)-877-5727
 FAX: (540)-722-2219
 www.stormrax.com

RSP-36 STANDARD

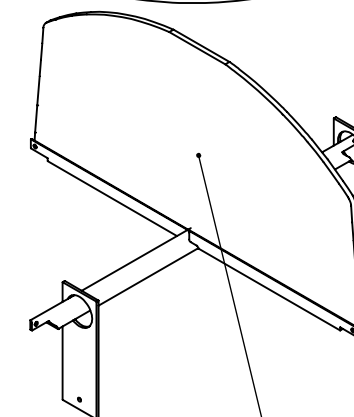
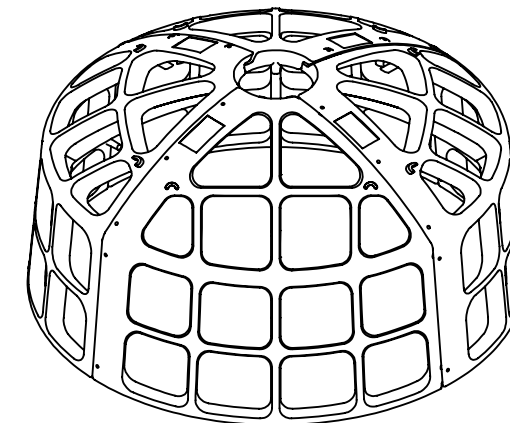


4 HDPE ANCHOR
 PLATES ON CROSS
 BRACE TO ANCHOR
 ON RISER



PART INFORMATION	
PART NO.	RSP-36
DIM. A	21-1/4"
DIM. B	14-3/8"
DIM. C	40-7/8"
DIM. D	37-1/2"
DIM E VARIES	4-1/2" X 5" MIN. 6-1/2" x 5-7/8" MAX.
MAX PIPE OD.	34"
MIN. PIPE ID.	23"
MOUNTING KIT ANGLE SIZE	1-1/4"X1-1/4"X3/16"
HDPE ANCHOR PLATE SIZE	12"X4"X1/4"

OPTIONAL ANTI VORTEX PLATE



ANTI VORTEX
 PLATE

PART INFORMATION

NAME: RSP-36
 MATERIAL: Structural HDPE with fiberglass fill
 WEIGHT: 48 LBS

MOUNTING HARDWARE

ANCHORS: 1/4" X 2" self tapping screws

CONSTRUCTION HARDWARE

BOLTS: 1/4" X 7/16" T-bolt (qty. 20)
 NUTS: 1/4" - 20 nut (qty. 20)

AVAILABLE OPTIONS

ANTI-VORTEX PLATE

MATERIAL: 1/2" Polyethylene sheet
 ADDED WEIGHT: 12 LBS

ADDITIONAL INFORMATION

Made in USA

DATE: 8/22/2023

DRAWN BY: MM

REV. #2

PROPRIETARY AND CONFIDENTIAL
 THE INFORMATION CONTAINED IN THIS DRAWING IS THE SOLE PROPERTY OF PLASTIC SOLUTIONS, INC. ANY REPRODUCTION IN PART OR AS A WHOLE WITHOUT WRITTEN PERMISSION BY PLASTIC SOLUTIONS, INC. IS PROHIBITED.