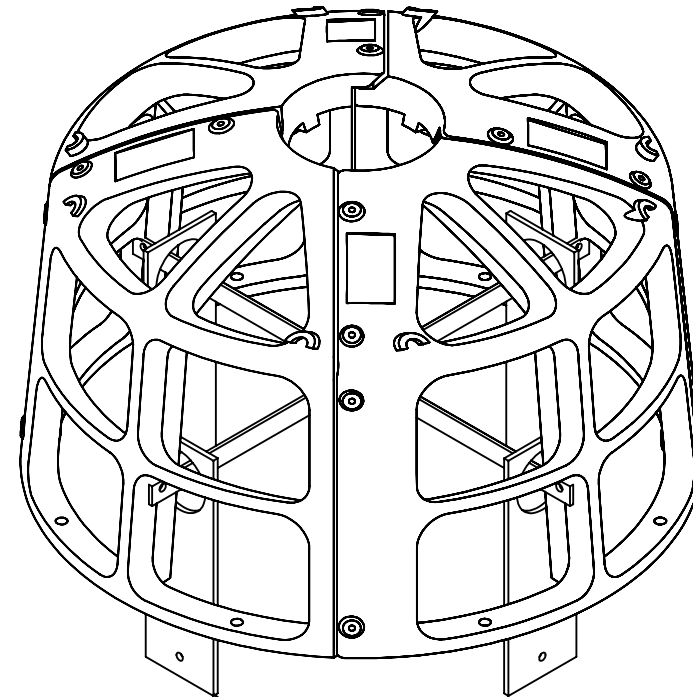




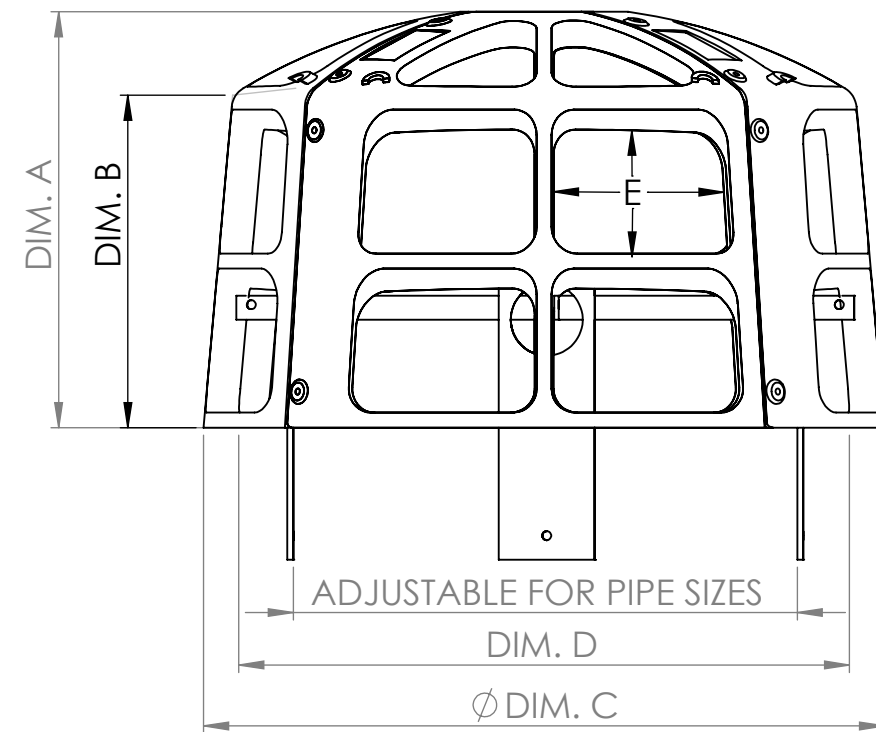
# 24" ROUND SERIES TRASH RACK FOR PLASTIC AND METAL RISER (RSP-24)

238 McGhee Rd, Winchester, VA. 22603  
 phone: (877)-877-5727  
 FAX: (540)-722-2219  
 www.stormrax.com

## RSP-24 STANDARD

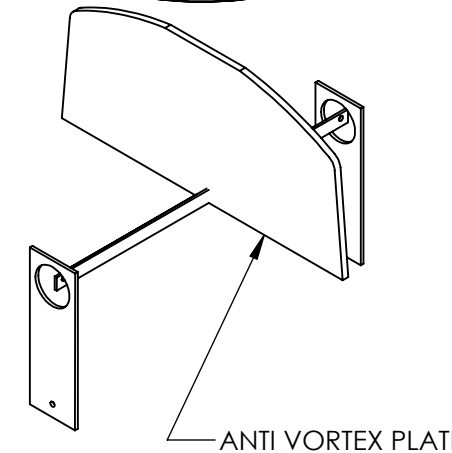
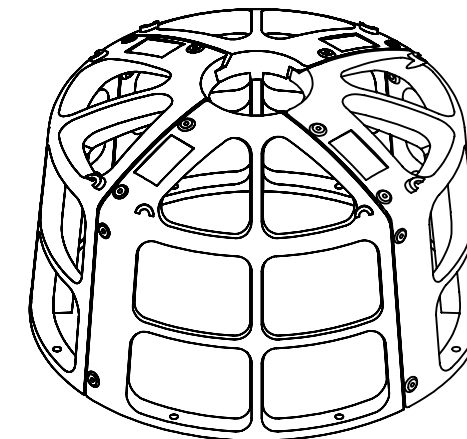


ANGLE MOUNTING KIT WITH  
 4 HDPE ANCHOR  
 PLATES ON CROSS  
 BRACE TO ANCHOR  
 TO RISER



ADJUSTABLE FOR PIPE SIZES

## OPTIONAL ANTI VORTEX PLATE



ANTI VORTEX PLATE

PART INFORMATION	
PART NO.	RSP-24
DIM. A	17-1/4"
DIM. B	14-1/4"
DIM. C	28"
DIM. D	25-1/4"
DIM E VARIES	4-1/4" X 7" MIN. 7-3/4" X 5-7/8" MAX.
MAX PIPE OD.	23"
MIN. PIPE ID.	12"
MOUNTING KIT ANGLE SIZE	1"X1"X3/16"
HDPE ANCHOR PLATE SIZE	12"X4"X1/4"

### PART INFORMATION

NAME: RSP-24  
 MATERIAL: STRUCTURAL HDPE WITH FIBERGLASS FILL  
 WEIGHT: 23 LBS

### MOUNTING HARDWARE

ANCHORS: 1/4" X 2" SELF TAPPING SCREWS

### CONSTRUCTION HARDWARE

BOLTS: 1/4" X 7/16" T-bolt (qty. 16)  
 NUTS: 1/4"-20 nut (qty. 16)

### AVAILABLE OPTIONS

#### ANTI-VORTEX PLATE

MATERIAL: 1/2" Polyethylene sheet  
 ADDED WEIGHT: 5 lbs.

### ADDITIONAL INFORMATION

Made in USA

DATE: 8/24/2023

DRAWN BY: MM

REV. #1

**PROPRIETARY AND CONFIDENTIAL**  
 THE INFORMATION CONTAINED IN THIS DRAWING IS THE SOLE PROPERTY OF PLASTIC SOLUTIONS, INC. ANY REPRODUCTION IN PART OR AS A WHOLE WITHOUT WRITTEN PERMISSION BY PLASTIC SOLUTIONS, INC. IS PROHIBITED.