

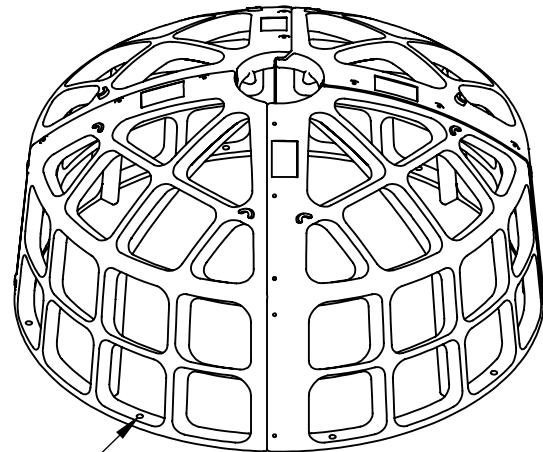


60" ROUND SERIES TRASH RACK FOR CONCRETE RISER (RS-60)



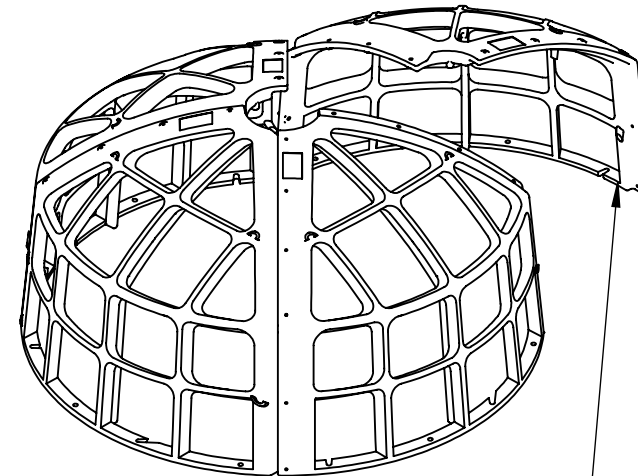
238 McGhee Rd, Winchester, VA. 22603
 phone: (877)-877-5727
 FAX: (540)-722-2219
 www.stormrax.com

RS-60 STANDARD



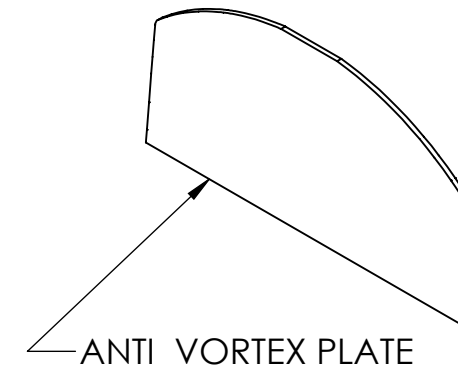
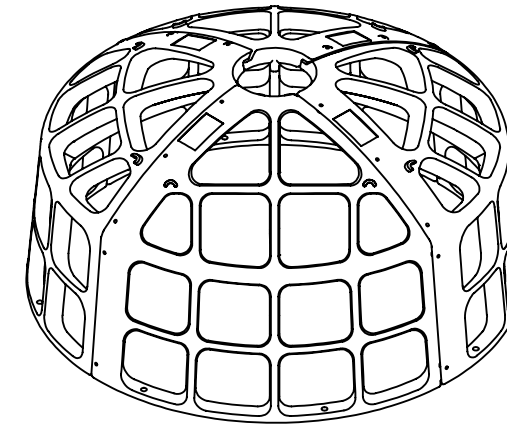
8 EQUALLY SPACED MOUNTING HOLES

OPTIONAL ACCESS DOOR

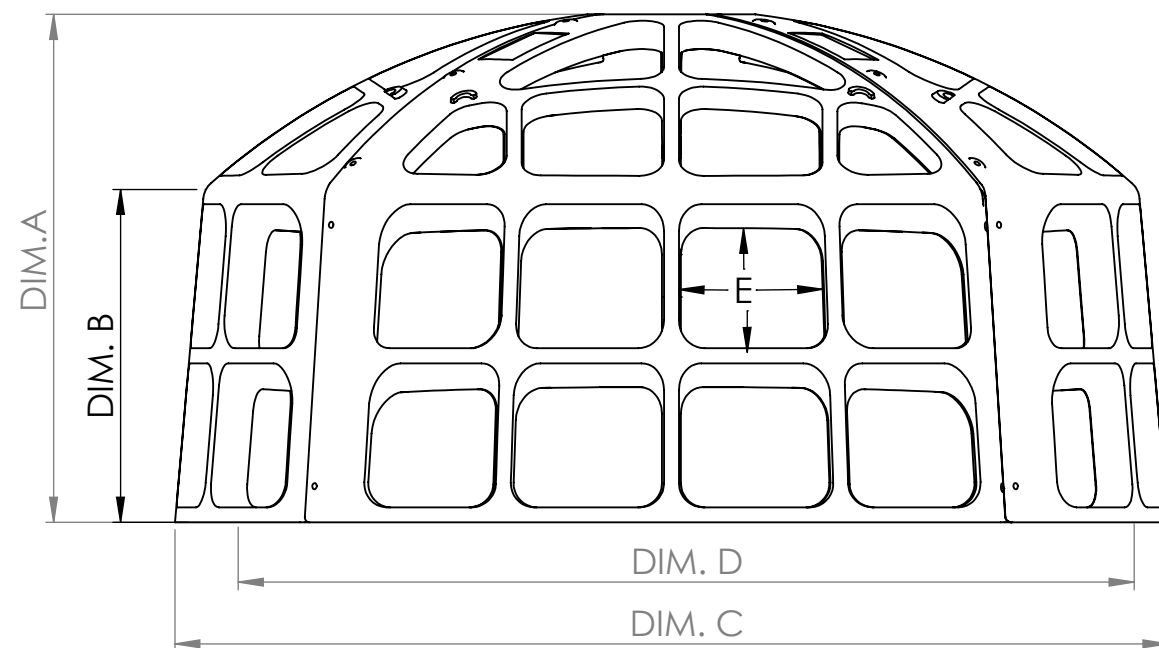


HINGED QUARTER SECTION FOR ACCESS

OPTIONAL ANTI VORTEX PLATE



ANTI VORTEX PLATE



PART INFORMATION

NAME: RS-60
 MATERIAL: Structural HDPE with fiberglass fill

WEIGHT: 83 lbs.

MOUNTING HARDWARE

ANCHORS: 3/8" X 3" Zinc wedge anchors with nuts and washers (qty.8)

CONSTRUCTION HARDWARE

BOLTS: 1/4" X 7/16" T-bolt (qty. 16)

NUTS: 1/4"-20 nut (qty. 16)

AVAILABLE OPTIONS

ACCESS DOOR

DOOR SIZE: Quarter section of trash rack

ANTI-VORTEX PLATE

MATERIAL: 1/2" Polyethylene sheet

ADDED WEIGHT: 37 lbs.

ADDITIONAL INFORMATION

Made in USA

DATE: 8/24/2023

DRAWN BY: MM

REV. #1

PROPRIETARY AND CONFIDENTIAL

THE INFORMATION CONTAINED IN THIS DRAWING IS THE SOLE PROPERTY OF PLASTIC SOLUTIONS, INC. ANY REPRODUCTION IN PART OR AS A WHOLE WITHOUT WRITTEN PERMISSION BY PLASTIC SOLUTIONS, INC. IS PROHIBITED.

PART INFORMATION

PART NO.	RS-60
DIM. A	27-1/2"
DIM. B	18-1/4"
DIM. C	66-1/2"
DIM. D	64-1/2"
DIM E VARIES	6-1/4" X 6" MIN. 12" X 8-1/2" MAX.
MAX STRUCTURE OD.	70"
MIN. STRUCTURE ID.	60"