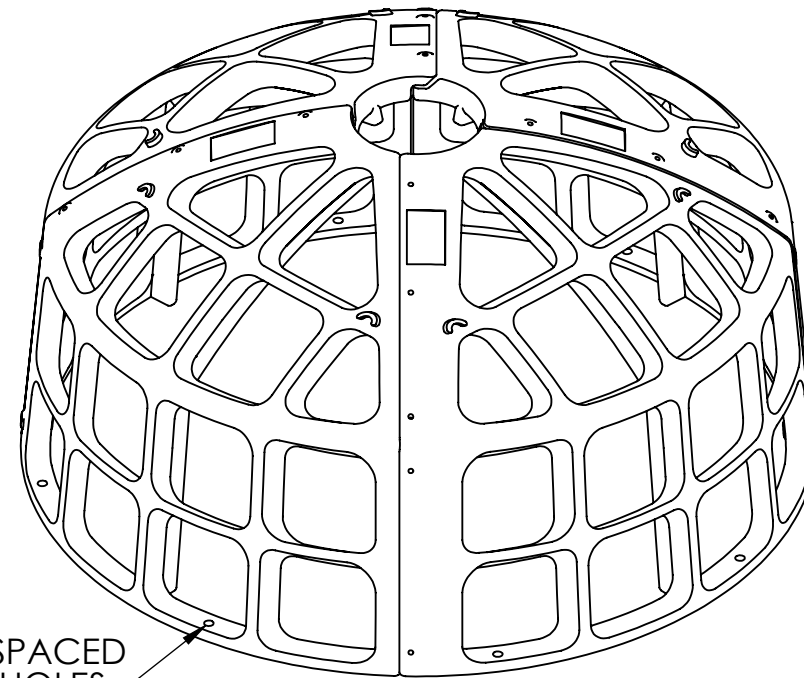




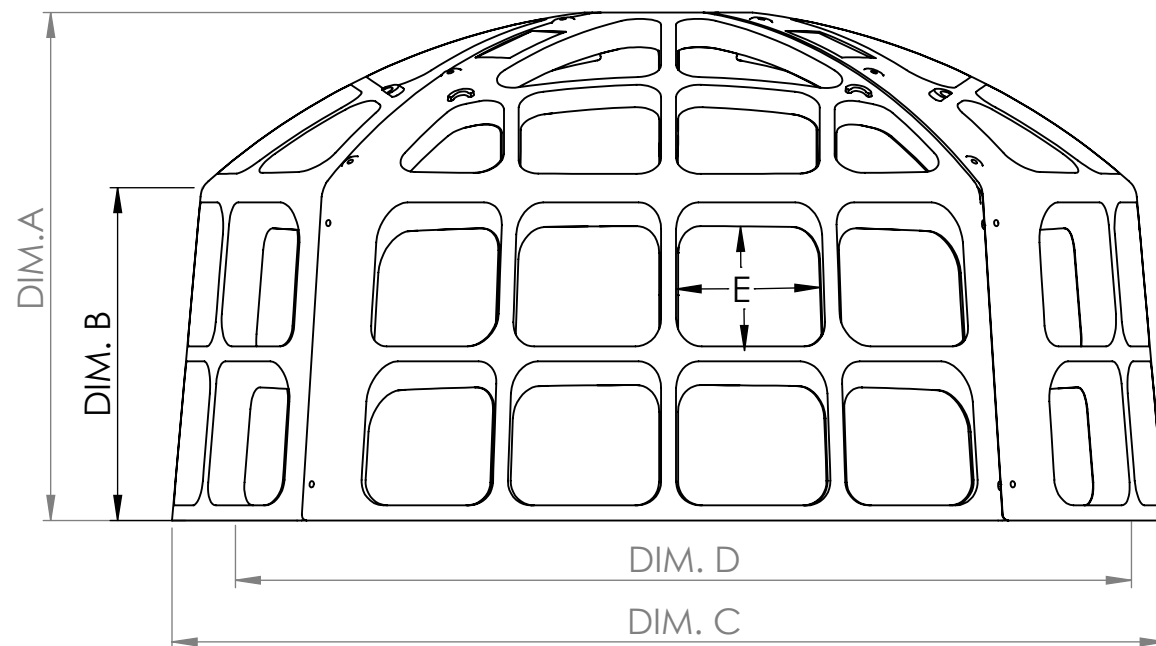
# 36" ROUND SERIES TRASH RACK FOR CONCRETE RISER (RS-36)

238 McGhee Rd, Winchester, VA. 22603  
 phone: (877)-877-5727  
 FAX: (540)-722-2219  
 www.stormrax.com

## RS-36 STANDARD

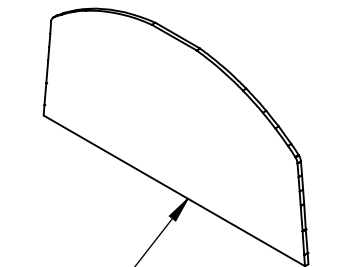
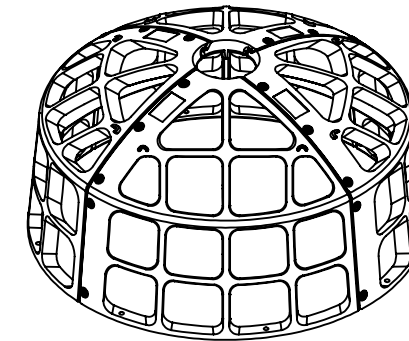


8 EQUALLY SPACED MOUNTING HOLES



PART INFORMATION	
PART NO.	RS-36
DIM. A	21-1/4"
DIM. B	14-3/8"
DIM. C	40-7/8"
DIM. D	35-9/16"
DIM E VARIES	4-1/2" X 5" 6-1/2" X 5-7/8"
MAX STRUCTURE OD.	40"
MIN. STRUCTURE ID.	36"

## OPTIONAL ANTI VORTEX PLATE



ANTI VORTEX PLATE

### PART INFORMATION

NAME: RS-36  
 MATERIAL: STRUCTURAL HDPE WITH FIBERGLASS FILL  
 WEIGHT: 39 LBS

### MOUNTING HARDWARE

ANCHORS: 3/8" X 3" Zinc wedge anchors with nuts and washers (qty.8)

### CONSTRUCTION HARDWARE

BOLTS: 1/4" X 7/16" T-bolt (qty. 16)  
 NUTS: 1/4"-20 nut (qty. 16)

### AVAILABLE OPTIONS

#### ANTI-VORTEX PLATE

MATERIAL: 1/2" Polyethylene sheet  
 ADDED WEIGHT: 17 lbs.

### ADDITIONAL INFORMATION

Made in USA

DATE: 8/24/2023  
 DRAWN BY: MM  
 REV. #1

**PROPRIETARY AND CONFIDENTIAL**  
 THE INFORMATION CONTAINED IN THIS DRAWING IS THE SOLE PROPERTY OF PLASTIC SOLUTIONS, INC. ANY REPRODUCTION IN PART OR AS A WHOLE WITHOUT WRITTEN PERMISSION BY PLASTIC SOLUTIONS, INC. IS PROHIBITED.