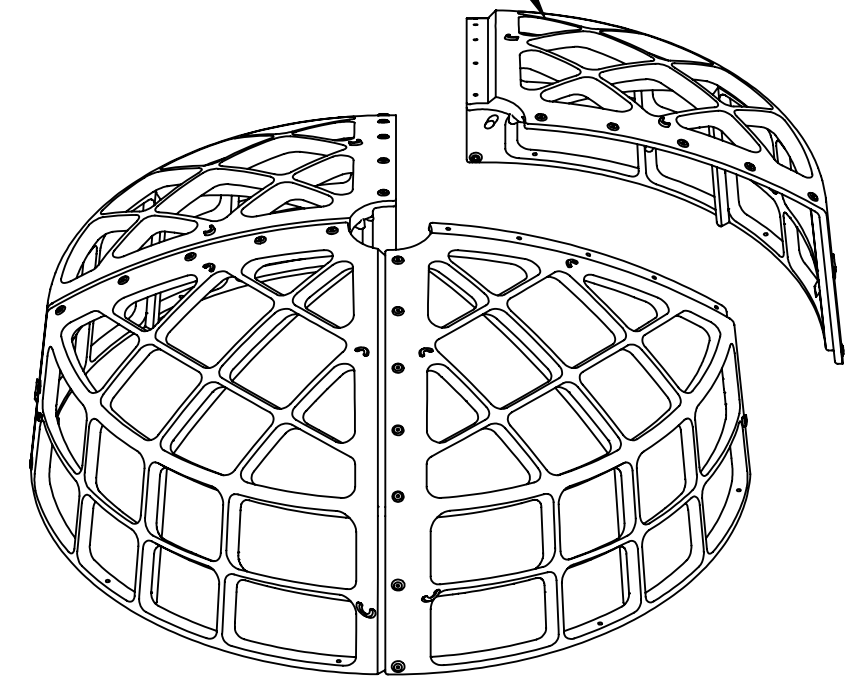
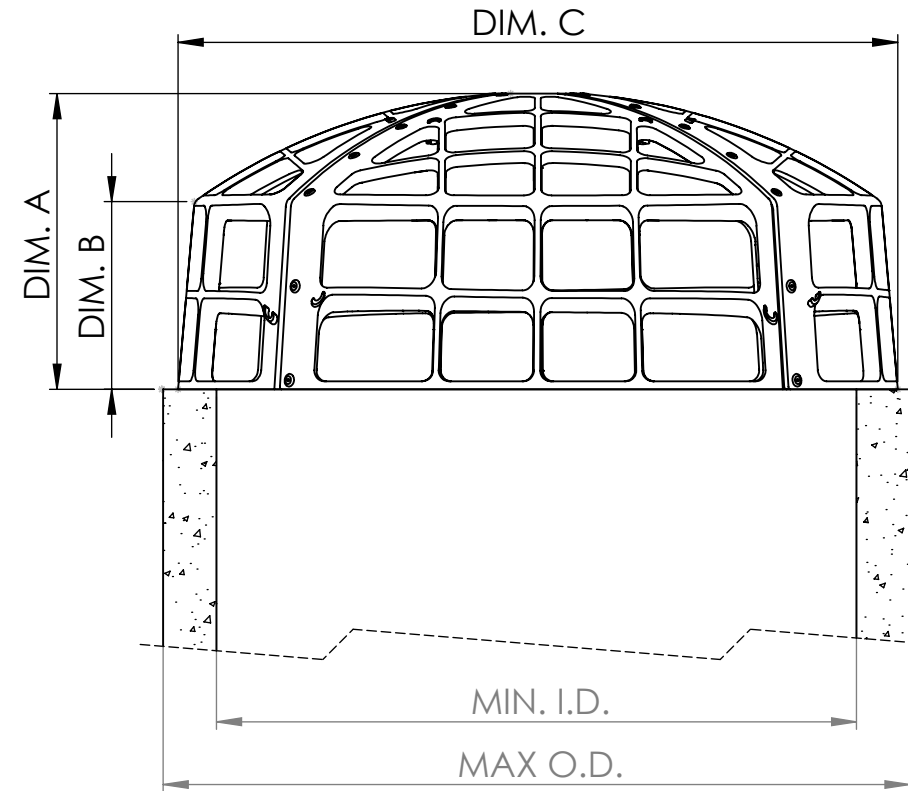
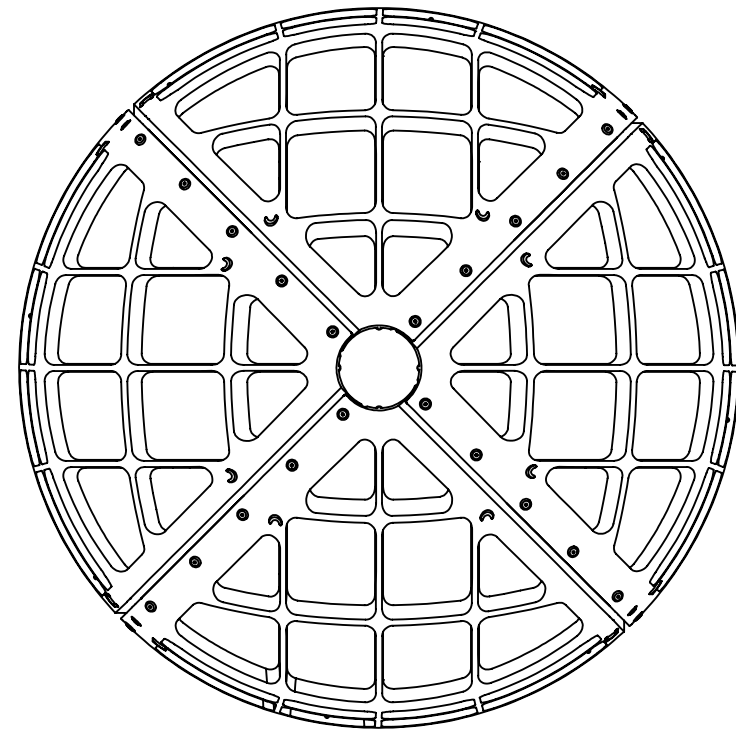




ROUND SERIES TRASH RACKS FOR CONCRETE RISERS

OPTION: REMOVABLE QUARTER SECTION FOR ACCESS (RS-48 & RS-60 ONLY)



STORMRAX™ ROUND SERIES FOR CONCRETE RISERS					
PART NO.	DIM. A	DIM. B	DIM. C	MIN. ID	MAX. OD
RS-24	17-1/4"	14-1/4"	28"	24"	30"
RS-36	21-1/4"	14-3/8"	40-7/8"	36"	40"
RS-48	27-3/4"	18"	54"	48"	57"
RS-60	27-1/2"	18-1/4"	66-1/2"	60"	70"

AVAILABLE OPTIONS	
1	ANTI VORTEX PLATES
2	ACCESS DOOR (RS-48 & RS-60 ONLY)

ADDITIONAL INFORMATION	
1	TRASH RACK MADE IN THE U.S.A.
2	MATERIAL IS HDPE STRUCTURAL PLASTIC BY PLASTIC SOLUTIONS INC.



Address: 238 McGhee Rd, Winchester, VA 22603

Phone: (877)-877-5727

FAX: (540)-722-2219

Website: www.stormrax.com

PART NAME:
ROUND SERIES TRASH RACKS

DATE: 8/22/2023 REV. #1

PROPRIETARY AND CONFIDENTIAL

THE INFORMATION CONTAINED IN THIS DRAWING IS THE SOLE PROPERTY OF PLASTIC SOLUTIONS, INC. ANY REPRODUCTION IN PART OR AS A WHOLE WITHOUT WRITTEN PERMISSION BY PLASTIC SOLUTIONS, INC. IS PROHIBITED.

DRAWN BY: MM

SHEET 1 OF 1