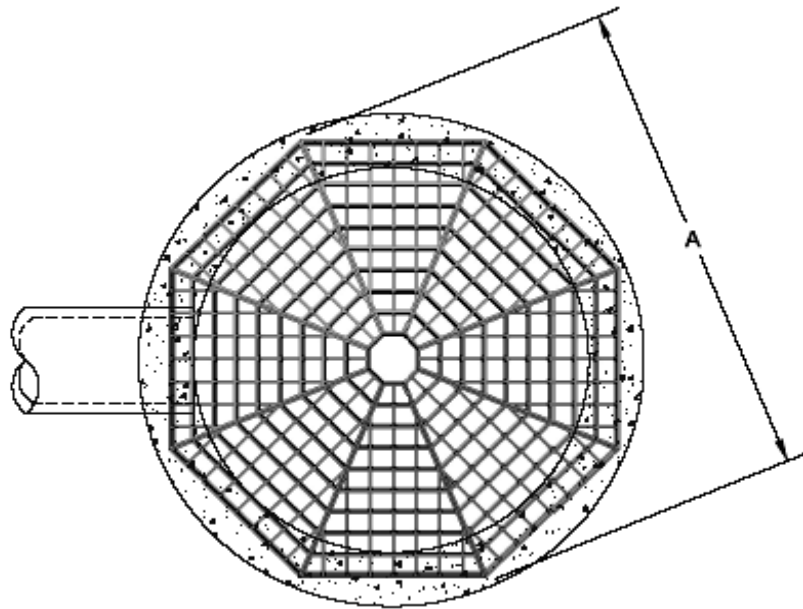


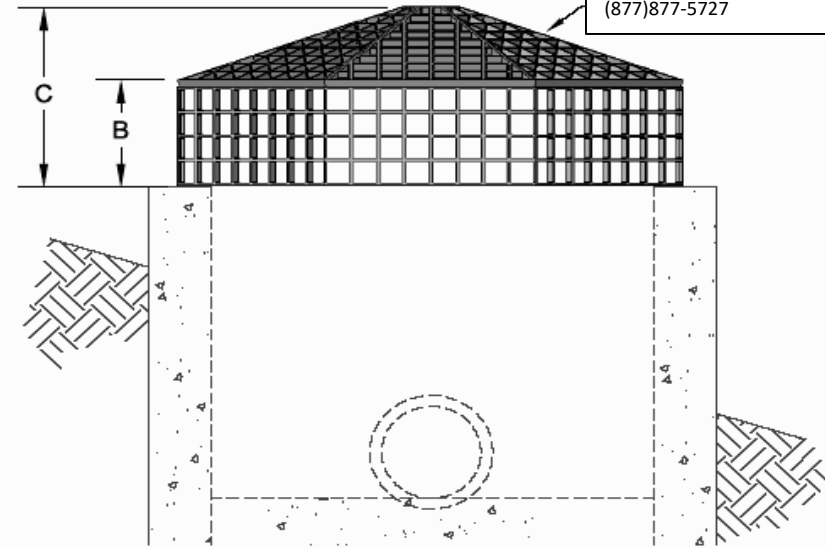


PYRAMID STRUCTURE FOR CONCRETE RISER
(STANDARD SIZES)

Structural HDPE Trash Rack by
PLASTIC SOLUTIONS, INC
www.StormRax.com
(877)877-5727



TOP VIEW



SIDE VIEW

PYRAMID RACK FOR CONCRETE MANHOLE RISER					
Part No.	Pipe I.D.	Pipe O.D.	A"	B"	C"
PYD-72	72	86	84	18	27½
PYD-84	84	100	94½	18	32½
PYD-96	96	114	113	23	39½

AVAILABLE OPTIONS	
ACCESS DOOR	
HDPE ANTI VORTEX PLATE	



P.O. BOX 4386, WINCHESTER, VA 22604
238 MCGHEE RD, WINCHESTER, VA 22603
PH: (877) 877-5727
WEBSITE: www.StormRax.com

CUSTOMER:

PROJECT:

DATE:

DRAWN BY:

APP'D BY:

DETAIL:

DWG. NO: