

240 MCGHEE RD.
WINCHESTER, VA. 22603
PHONE: 540-722-3292
www.plastic-solution.com

PART INFORMATION

NAME:
ANTI-SEEP COLLAR

MATERIAL:
1/4" POLYETHYLENE SHEET

WEIGHT:
1.25 LBS PER SQ. FT.

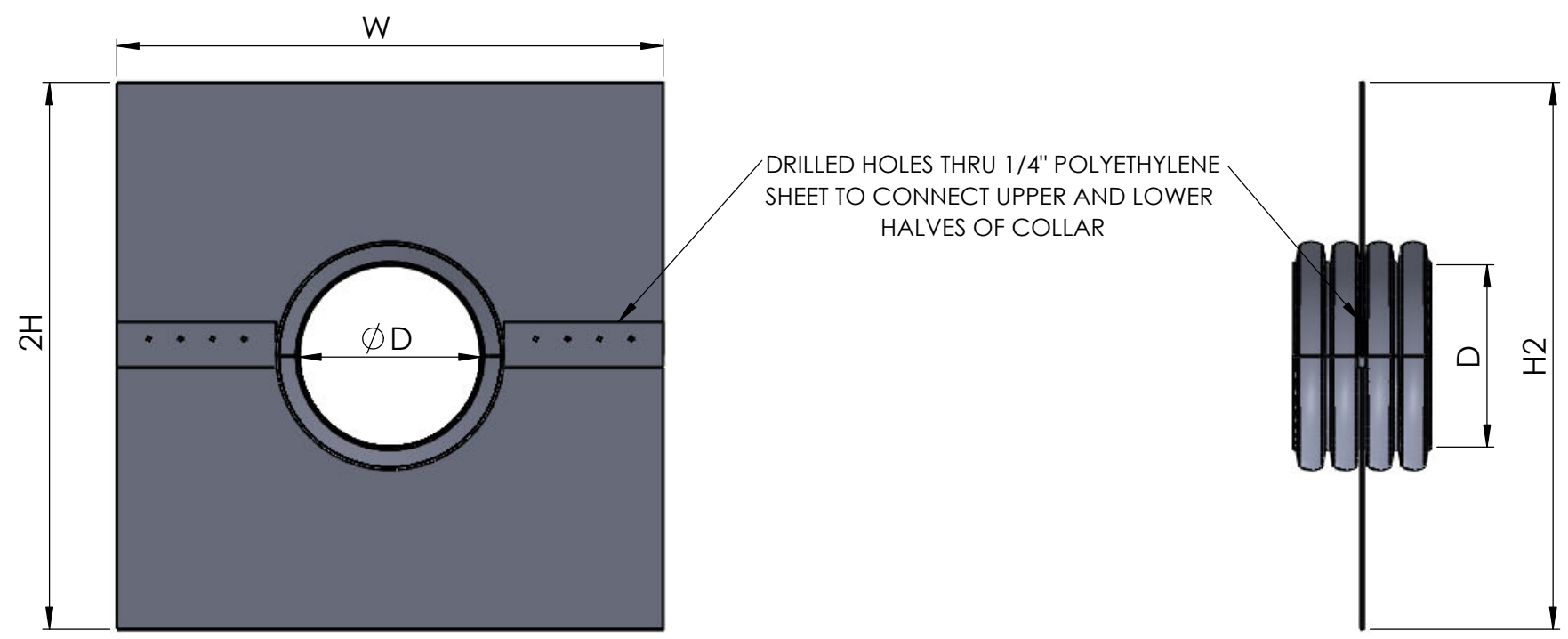
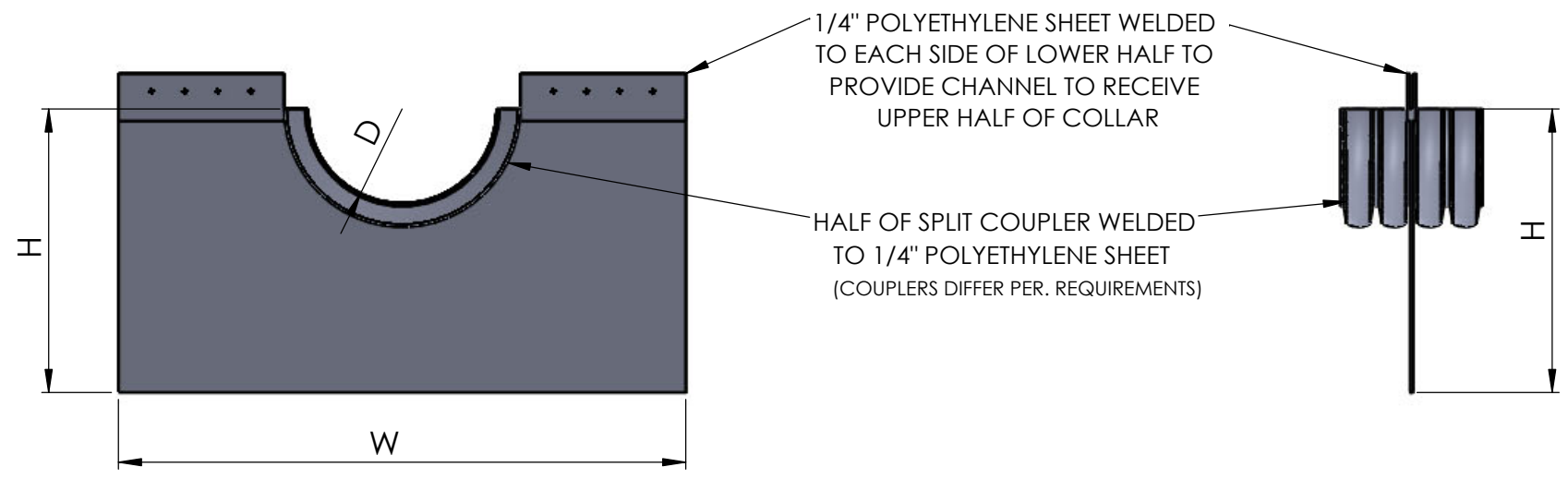
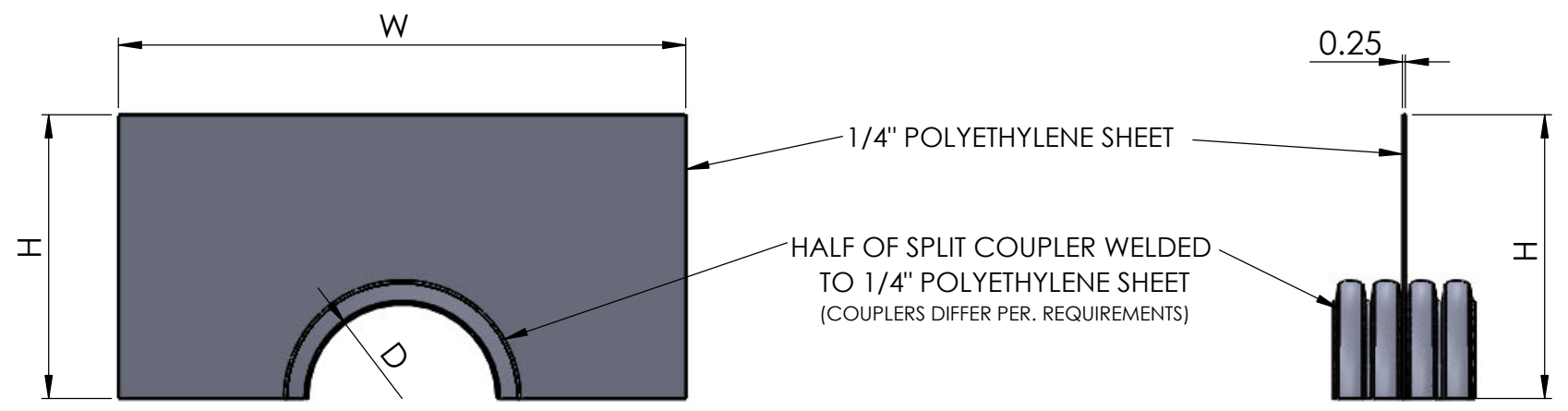
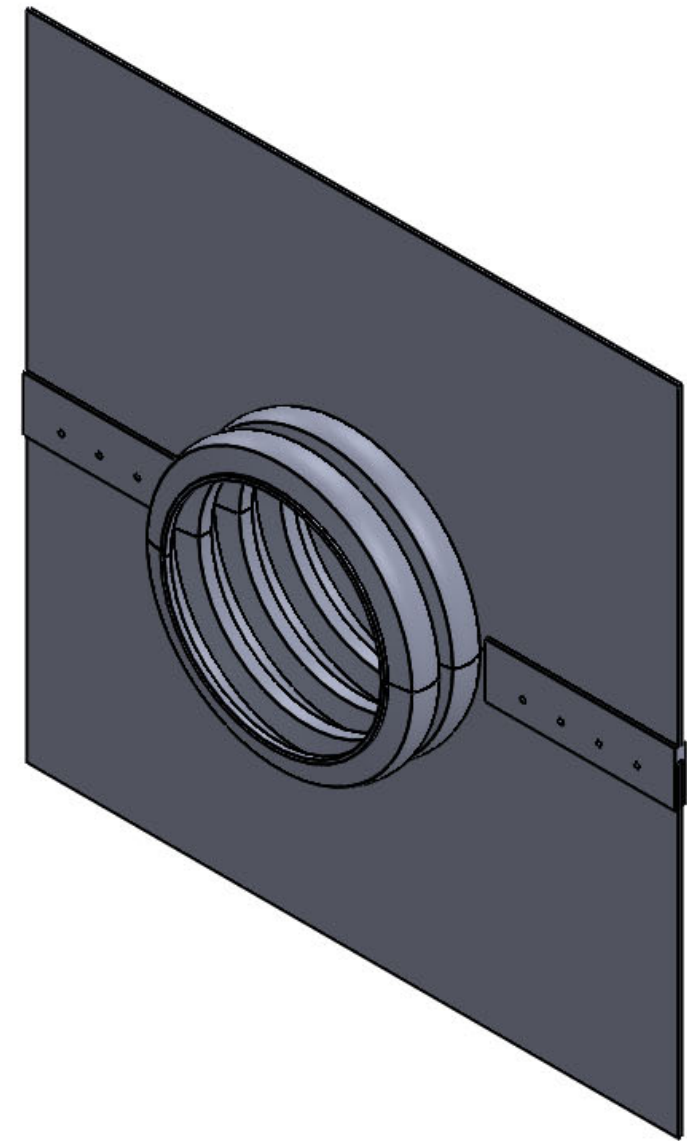
MATERIAL:
HDPE COUPLER

WEIGHT:
VARIES WITH SIZE

HARDWARE

MATERIAL:
.25 X 30MM BOLT

ADDITIONAL INFORMATION



ANTI-SEEP COLLAR SPECIFICATIONS

W= _____
H= _____
D= _____

DATE:

DRAWN BY:

REV. #

PROPRIETARY AND CONFIDENTIAL
THE INFORMATION CONTAINED IN THIS DRAWING IS THE SOLE PROPERTY OF PLASTIC SOLUTIONS, INC. ANY REPRODUCTION IN PART OR AS A WHOLE WITHOUT WRITTEN PERMISSION BY PLASTIC SOLUTIONS, INC. IS PROHIBITED.