

StormRax™

DEBRIS CAGE

WITH OPTIONAL BACKING PLATE

HDPE DEBRIS CAGE by:
 PLASTIC SOLUTIONS, INC.
 238 McGhee Rd
 Winchester, VA 22603
 (877)877-5727

HDPE PLATE BOLTED TO STRUCTURE (OPTIONAL)

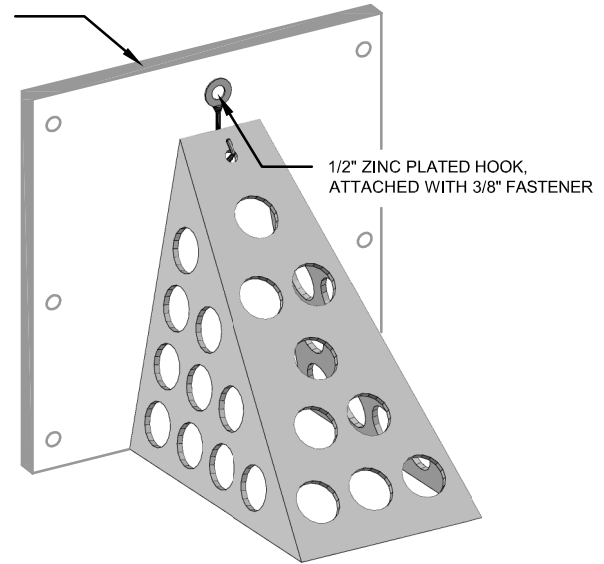
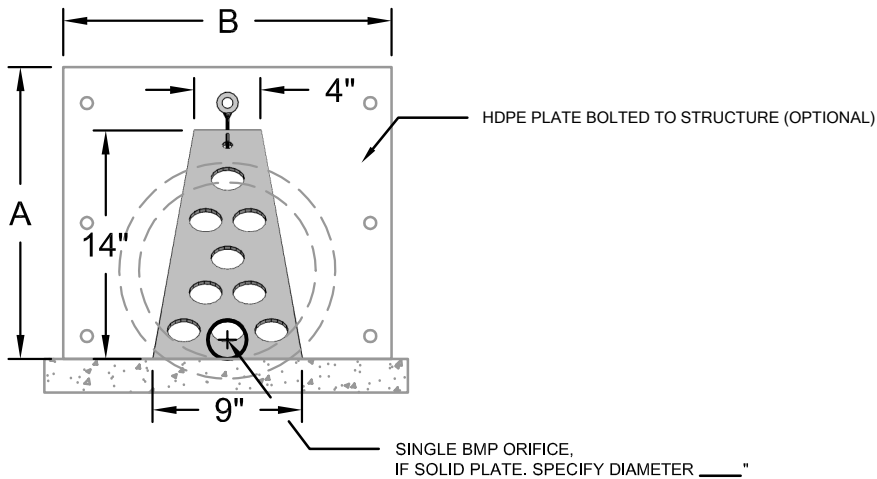


PLATE DIMENSIONS

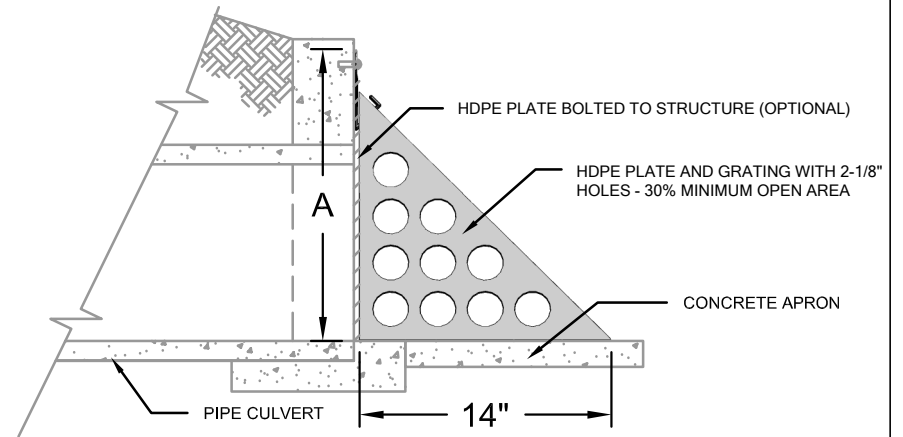
(A)

(B)

ORIFICE DIAMETER
 (IF SOLID PLATE IS USED)



ELEVATION



SECTION



CUSTOMER:

DATE:

PROJECT:

DRAWN BY:

APP'D BY:

DETAIL: